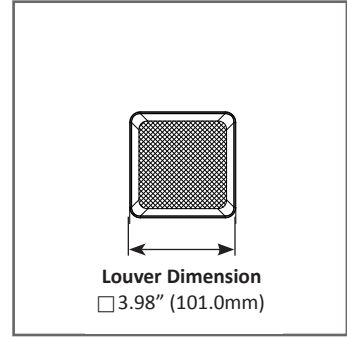
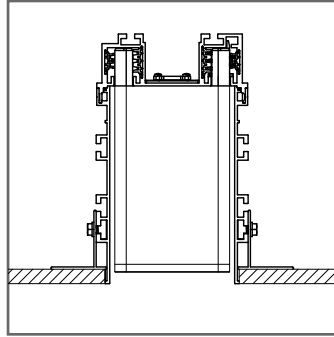
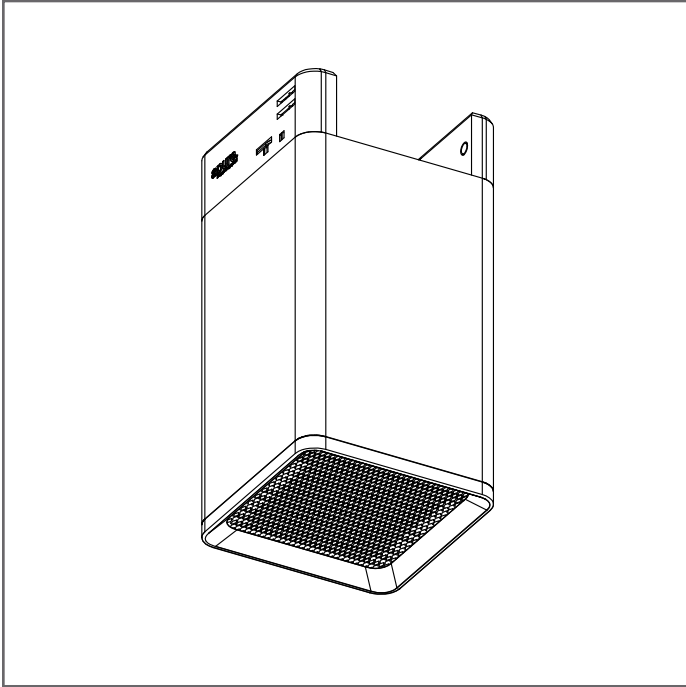


Project: _____ Type: _____



OPUS VOX

Recessed Speaker in Profile - 70V James Loudspeaker fitted into an extruded aluminum housing, finished with Apure's signature aluminum grille with high pass through.

James Loudspeaker - Small Aperture Technology

The mid/high frequency module is an engineering work of art. Made from die-cast aluminum, the module is rugged and dimensional precise. It has a custom designed 2" midrange driver with an aluminum cone and neodymium motor structure. It is located just behind the 3/4" aluminum dome tweeter, producing a true coaxial design.

Construction

- High excursion woofer and coaxial tweeter
- Speaker comes with a built in crossover network and low-loss, toroidal 70 Volt transformer for clear audio regardless of length.
- Extruded aluminum housing with powder coat paint finish combined with signature magnetic aluminum apure© louver.
- Made in Germany, Design by Porsche Design Studio

Electrical

- 70V Audio (30W Transformer draw)
- Frequency range: 80Hz-20kHz±3dB

Additional Information

- Powder coat louver only available with powder coat body finish.

Listings

- ETL Listed, Dry Location
- Airtight Listed. CCSA Chicago Plenum



ORDERING INFORMATION

SERIES NO.	VOLTAGE	BODY FINISH	GRILLE FINISH
AS57 - Surface mounted speaker	7 - 70V	WH - white powder coat NA - natural anodized BA - black anodized	WH - white powder coat NA - natural anodized BA - black anodized TI - titan anodized GO - gold anodized BR - bronze anodized GM - gun metal anodized RG - rose gold anodized

AS577 - __ / __

ORDERING EXAMPLE AS577 - __ / __