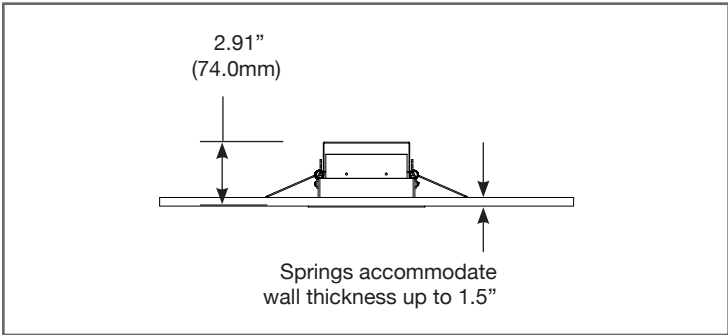
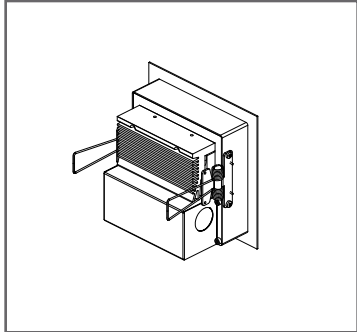
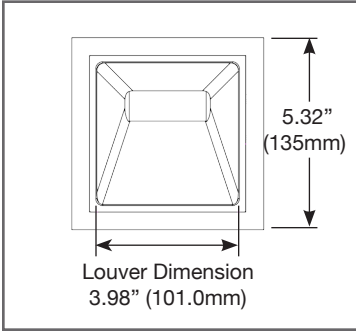


Project: \_\_\_\_\_ Type: \_\_\_\_\_



# MURUS LED

Recessed wall mounted - Fixed High power LED with 1/2" (13mm) trim combined with signature Apure© louver. High performance LED provides a long life and high efficiency output. The Murus gently washes floors, ceilings and stairwells either mounted downward or upward to provide a beautiful glare free appearance.

**Construction**

- Formed steel trim with powder coat paint finish combined with signature aluminum apure© louver, available in various colors and combinations.
- Made in Germany, Design by Porsche Design Studio
- Citizen LED module, 3000K color temperature and 80CRI.
- 610lm source light output

**Electrical**

- Compatible with 2-wire ELV (reverse phase) dimmers.
- For optimal performance, operate luminaire in conjunction with dimming switches or modules. Proper wiring and use of dimmers is to be performed by a qualified professional.

**Installation**

- 'Retrofit Style' Installation using flexible conduit for easy recessed installation into drywall. Simply cut the required opening, wire the fixture, fold back the retention springs and insert the fixture into the opening.

**Listings**

- ETL Listed, Dry Location



**ORDERING INFORMATION**

| SERIES NO.                               | VOLTAGE                | BODY FINISH  | LOUVER FINISH   | COLOR TEMP. | CRI         |
|--|------------------------|--|---|-------------|-------------|
| AP51 - 8.5W LED<br>Recessed wall fixture | 3 - UNV<br>(120V-277V) | WH - white powder coat<br>NA - natural anodized<br>BA - black anodized | WH - white powder coat<br>NA - natural anodized<br>BA - black anodized<br>TI - titan anodized<br>GO - gold anodized<br>BR - bronze anodized<br>GM - gun metal anodized<br>RG - rose gold anodized | 30 - 3000K  | 80 - 80 CRI |

AP513- \_\_ / \_\_ - \_\_\_\_

**ORDERING EXAMPLE** AP513-WH/TI-3080

