

ARTUS PAR - NEW CONSTRUCTION | LOW VOLTAGE INSTALLATION INSTRUCTIONS

Please read these instructions in their entirety prior to the start of the installation to ensure a proper and functional installation. Carefully review each step and confirm you have the necessary tools and compatible drivers to complete every step.

WARNING & SAFETY INSTRUCTIONS

- DO NOT INSTALL DAMAGED PRODUCT! Upon receipt, thoroughly inspect for any freight damage which should be brought to the attention of the delivery carrier.
- Compare the catalog description listed on the packing slip with the label on the carton to ensure you have received the correct merchandise.
- Read and familiarize yourself with the nomenclature and instructions before starting installation.
- RISK OF ELECTRIC SHOCK! Turn off electricity at the breaker panel or fuse box and follow NEC and all local electrical building codes and practices.
- RISK OF INJURY! Avoid direct eye exposure to the light source while it is on.
- Do not install directly to line voltage! Remote power supply is required. Follow all instructions by the manufacturer!
- Do not power on fixture with lens protector installed.
- Avoid direct contact with light source. The fixture lens must have a minimum clearance of 1 foot (30cm) at all times.
- Do not submerge this product under water.
- Do not install incompatible dimmers with driver. Check dimmer compatibility on the driver cutsheet.
- Do not reverse polarity when wiring the light fixture. Failure to wire correctly can cause the fixture to fail.

THESE INSTRUCTIONS DO NOT PURPORT TO COVER ALL DETAILS OR VARIATIONS IN EQUIPMENT NOR TO PROVIDE FOR EVERY POSSIBLE CONTINGENCY TO BE MET IN CONNECTION WITH INSTALLATION, OPERATION OR MAINTENANCE. SHOULD FURTHER INFORMATION BE DESIRED OR SHOULD PARTICULAR PROBLEMS ARISE WHICH ARE NOT COVERED SUFFICIENTLY FOR THE CUSTOMER/OPERATOR'S PURPOSES THE MATTER SHOULD BE REFERRED TO APURE DISTRIBUTION, LLC.

Failure to follow any of these instructions could void product warranties. For a complete listing of product Terms and Conditions, please visit www.apurelighting.com. Apure assumes no responsibility for claims arising out of improper or careless installation or handling of its products.

Resources / Installation Videos

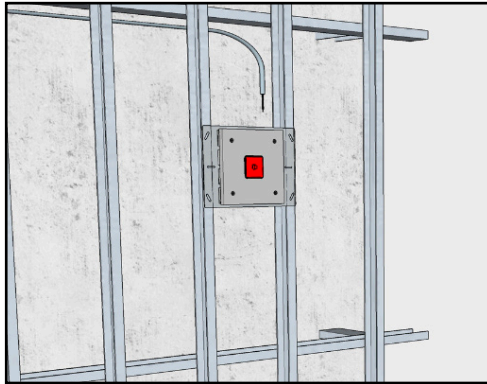
Scan QR Code or visit at apurelighting.com/resources/



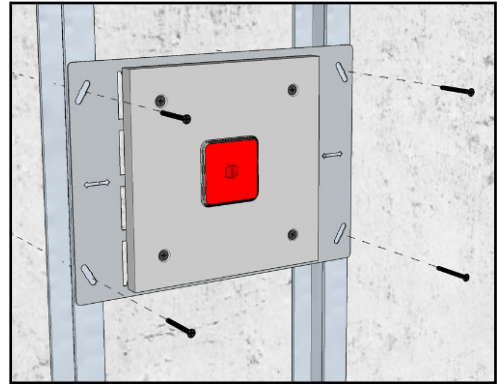
Resources



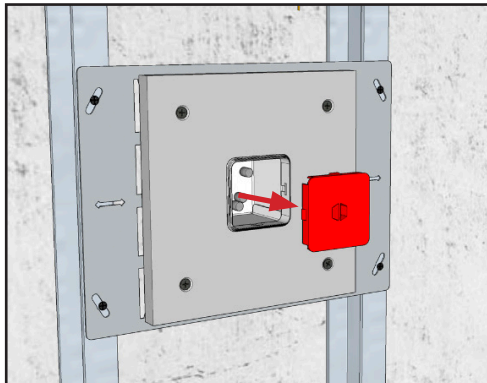
ARTUS PAR I New Construction



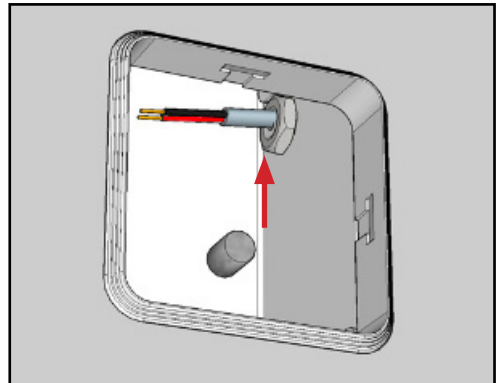
1. Identify the desired fixture location and raise the bracket to the framing.



2. Fasten the bracket to the framing using the screws provided with the bracket.

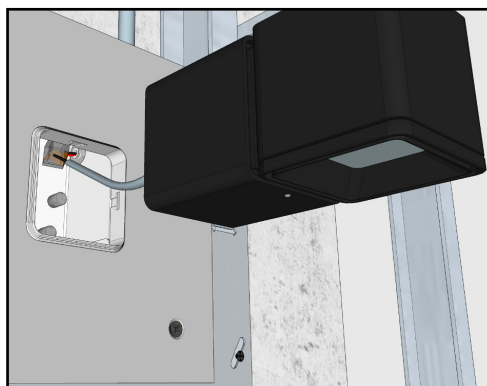


3. Remove the finishing guard from the fixture opening.

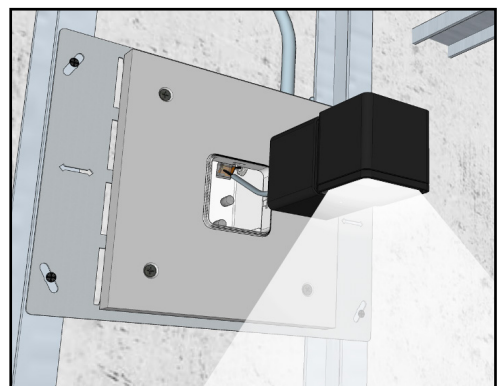


4. Bring **low voltage** wiring from the remote power supply to the housing and feed **low voltage** wires through the cable gland opening.

Note: Please refer to wiring diagram on page 5.



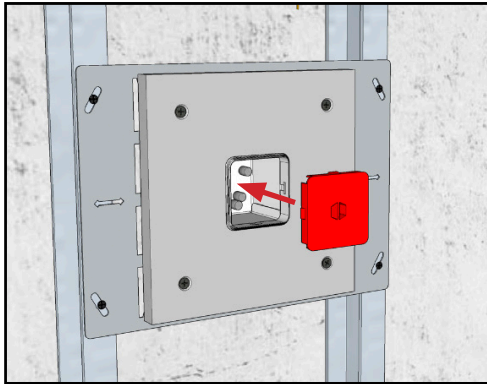
5. Make the **low voltage electrical** connection. No conduit knockout is needed as this is a low voltage product.



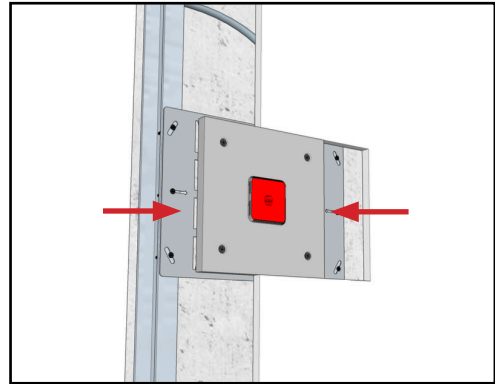
6. Test and confirm that the fixture is fully operational. Do not move on to the next step until the fixture is operational.

Note: Please refer to wiring diagram on page 5.

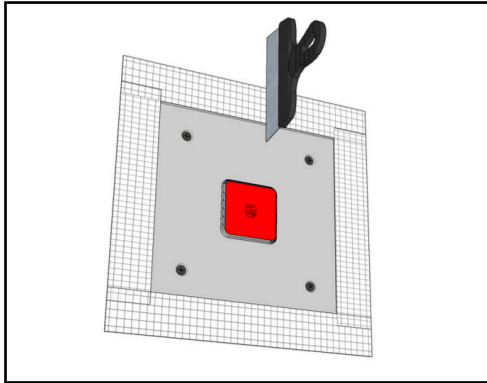
ARTUS PAR I New Construction. Cont'd



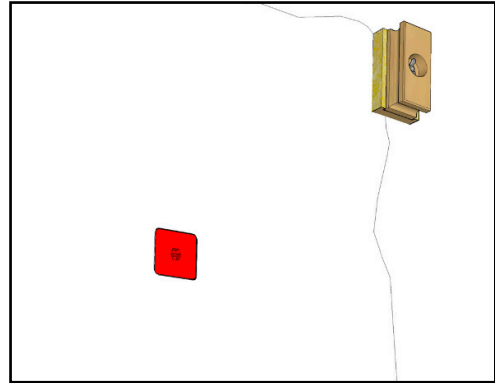
7. Safely remove the fixture and insert the finishing guard into the fixture opening to prepare for finishing.



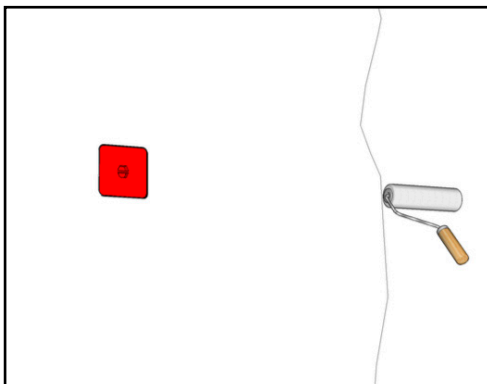
8. Cut and install the drywall around the fixture, ensuring that the fixture board assembly is flush with the surrounding drywall. This will allow a finish of one eighth inch of plaster around the finishing guard.



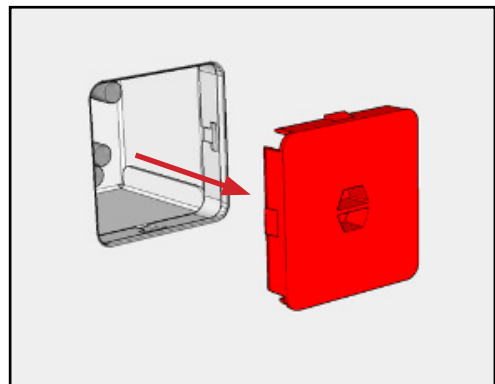
9. Tape the seams between the drywall board and ceiling. Joint compound may be used to fill any gaps before applying the tape. Allow for the tape to dry and apply your first coat of plaster to the tape seam.



10. Apply the subsequent coat of plaster to level out the board with the existing drywall finish. Allow for the surface to dry and sand the plastered ceiling.

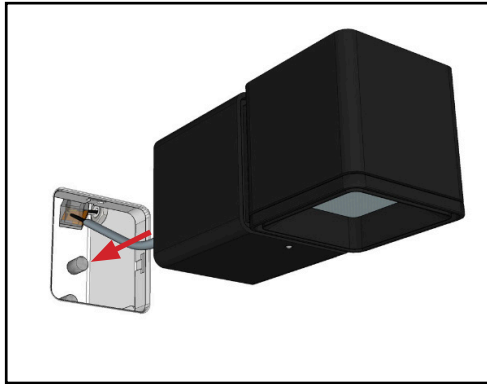


11. Paint the surface.



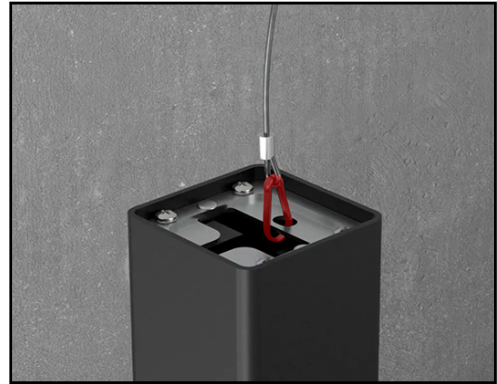
12. Carefully remove the finishing guard from the fixture opening.

ARTUS PAR I New Construction, Cont'd.

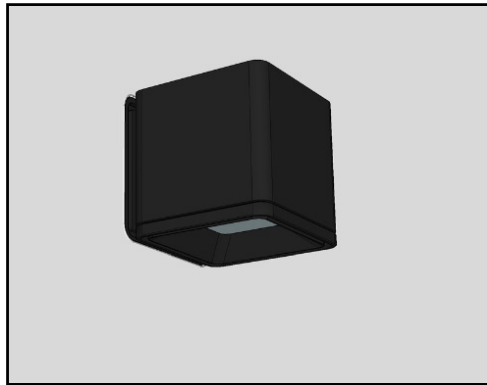


13. Make the **low voltage electrical** connection.

Note: Please refer to wiring diagram on the next page.



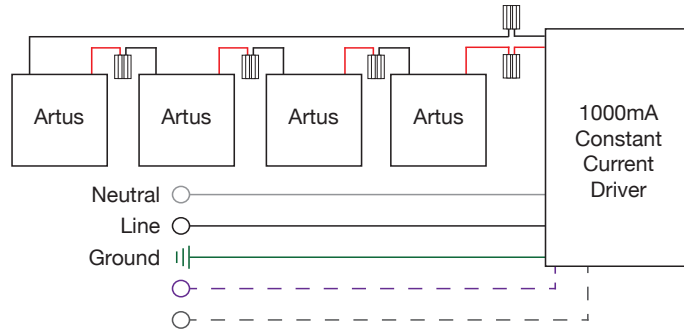
14. Ensure that the safety cable is secured to the fixture.



15. Insert the fixture into the opening and magnetically attach the fixture to the housing. The installation is now complete.

Wiring diagram on the following page.

Wiring Diagram for Constant Current Artus products - [CC]



Fixture Leads

Red (+)
Black (-)

Warning: failure to wire correctly may cause fixture to fail.

Additional Considerations

The above wiring diagram applies only to Constant Current Artus products with product ordering codes ending with "EU". The diagram above shows the typical wiring schematic, however the total number of fixtures per driver is driver specific.

- | | | |
|---|-----------|--------------------|
| • Magnitude AFLEX Power Supply (1000mA 60W) | 1-4 Artus | 16AWG - 82ft (25m) |
| • Apure Phase Dimmable (1000mA 29W) | 1-2 Artus | 16AWG - 82ft (25m) |
| • Apure Phase Dimmable (1000mA 30-65W) | 3-5 Artus | 16AWG - 82ft (25m) |
| • Apure DALI, Push, 1-10V (1000mA 30-65W) | 1-4 Artus | 16AWG - 82ft (25m) |

WARNING: The power supply must operate within the range of minimum to maximum fixtures. Operation with less or more fixtures from the specified amount will result in damage to the power supply and/or lighting fixture. Incorrectly wiring the Constant Current lighting fixture may cause luminaire to fail.