

ARTUS PAR Multi-Directional Semi-Recessed

Quick Facts

- Remote Powered, Class 2 Fixture
- 12W Cree LED
- Available in Warm White (2700K) and Soft White (3000K)
- 2-step SDCM ellipse for accurate color consistency between fixtures
- Full dimming range via remote power supply
- Visible Dimensions - 55mm x 55mm x 55mm (2-3/16" x 2-3/16" x 2-3/16")
- Housing Dimensions: 3-1/2" x 2-3/8" x 2" (90mm x 61mm x 51mm)
- Recess Depth: 2" (51mm)
- Suitable for installation in drywall
- Suitable for dry and damp locations
- Designed by Studio F·A·Porsche
- UL Listed
- Engineered and made in Germany



Description

Introducing the Artus Par Multi-Directional Sconce by Apure – a pinnacle of contemporary lighting innovation. Designed to illuminate your space with unmatched precision and style, the Artus Par boasts state-of-the-art optics that deliver adjustable lighting in multiple directions. Elevate your environment with its sleek and modern design, available in a selection of exquisite high-end finishes, ensuring seamless integration into any decor. Discover the perfect balance of form and function as the Artus Par casts a new light on the way you illuminate your world. Almost invisible in design and featuring a rotation of 360 degrees, with angles of up to 60 degrees, the true to size 55 mm x 55 mm (2 3/16" x 4 3/8") luminaire projects precise beams of ambient light.

Construction

- Extruded aluminum fixture body, featuring Apure’s signature louver designed by Studio F·A·Porsche
- 50,000 hours LED lifetime
- Approximate fixture weight: 720g (1.58lbs)
- Operating Temperature: 10°C to 50°C

Fixture Size

- Visible Dimensions: 55mm x 55 mm x 55 mm (2-3/16" x 2-3/16" x 2-3/16")
- Housing Dimensions: 3-1/2" x 2-3/8" x 2" (90mm x 61mm x 51mm)
- Recess Depth: 2" (51mm)

Light Output

- High performance Cree LED, available in various color temperatures
- 2-step SDCM ellipse
- Color rendering index (CRI) min. 90
- Integral microprocessor controlled thermal protection

Electrical Specifications

- Class 2 Fixture
- 12V DC Input
- 12W Power Consumption
- Remote 1000mA Constant Current Driver Required
- 0-10V 0.1% Dimming (or) 1-10V/Push/DALI (or) Phase Dimming drivers available
- Recommended wire, min. 16 AWG plenum rated (CMP, when required) up to 82ft from remote transformer

Installation Types

- Drywall installation for new construction and retrofit installations possible with the NEXU System available for various drywall thicknesses.

Listings

- UL Listed, CE Conform
- Suitable for dry and damp locations

Resources

Scan QR Code or visit at apurelighting.com/resources/



Resources

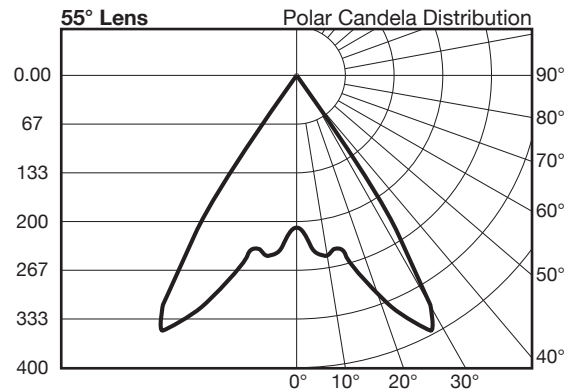
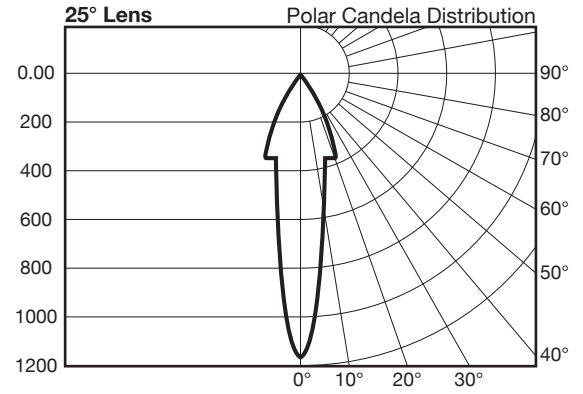
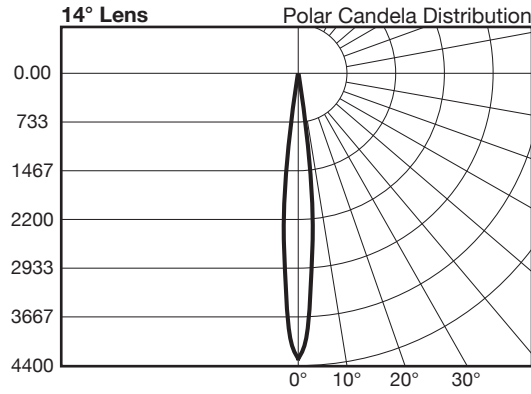
ORDERING INFORMATION

SERIES	MODEL	TYPE	ORIENTATION
<input type="checkbox"/> AR - Artus Series	<input type="checkbox"/> 3 - Artus Par	<input type="checkbox"/> 1 - LED	<input type="checkbox"/> M - Multi-Directional
FIXTURE FINISH	TEMPERATURE (CCT)	COLOR RENDERING INDEX	
<input type="checkbox"/> BA - Black Anodized	<input type="checkbox"/> 27 - Warm White (2700K)	<input type="checkbox"/> 90 - ≥90	
<input type="checkbox"/> WH - White Powder Coat	<input type="checkbox"/> 30 - Soft White (3000K)		
OPTICS (DEGREE)	DIMMING PROTOCOL		
<input type="checkbox"/> S - Spot (14°)	<input type="checkbox"/> CC - 0-10V / DALI / Phase Dim (1000mA Constant Current, 12VDC)*		
<input type="checkbox"/> N - Flood (25°)			
<input type="checkbox"/> F - Wide Flood (55°)			

*remote powered fixture, power supply required

ORDERING EXAMPLE AR31MBA3090FCC

LED Photometrics



Required Drywall Accessories
 NEXU System
 NEXU System
 NEXU System - (US Standard)

Part Number
NXSBRKU10
NXSBRKU12
NXSBRKU15

Thickness
10mm
12.5mm
15mm

Requirement
Drywall Installations
Drywall Installations
Drywall Installations

Remote Power Supply for CC Variant

Magnitude AFLEX Power Supply (1000mA 60W)*
Magnitude AFLEX JBZN Series (1000mA 60W)**
Apure Phase Dimmable (1000mA 29W)
Apure Phase Dimmable (1000mA 30-65W)
Apure DALI, Push, 1-10V (1000mA 30-65W)*

Part Number
AA3010M1000
AA3010MJBXX
AA32202DEU
AA32205DEU
AA3DALIDEU

Input Voltage
120-277Vac
120-277Vac
220-240Vac
220-240Vac
110-240Vac

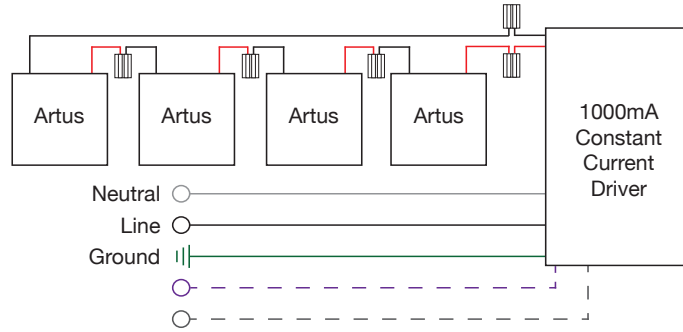
Listings
UL Listed
UL Listed
CE
CE
CE

*Driver enclosure required where applicable.
 **Refer to reseller for more information.

Custom Installation Types

- Observe and follow all local and national installation codes for all installation types.
- Test and make sure that all fixtures are working properly before any mudding, painting or finishing occurs!
- Read and adhere to all instructions supplied with each power supply and fixture.
- Follow all instructions supplied by power supply / driver manufacturer!

Wiring Diagram for Constant Current Artus products - [CC]



Fixture Leads
Red (+)
Black (-)

Warning: failure to wire correctly may cause fixture to fail.

Additional Considerations

The above wiring diagram applies only to Constant Current Artus products with product ordering codes ending with "CC" or "EU". The diagram above shows the typical wiring schematic, however the total number of fixtures per driver is driver specific.

- Magnitude AFLEX Power Supply (1000mA 60W) 1-4 Artus 16AWG - 82ft (25m)
- Apure Phase Dimmable (1000mA 29W) 1-2 Artus 16AWG - 82ft (25m)
- Apure Phase Dimmable (1000mA 30-65W) 3-5 Artus 16AWG - 82ft (25m)
- Apure DALI, Push, 1-10V (1000mA 30-65W) 1-4 Artus 16AWG - 82ft (25m)

WARNING: The power supply must operate within the range of minimum to maximum fixtures. Operation with less or more fixtures from the specified amount will result in damage to the power supply and/or lighting fixture. Incorrectly wiring the Constant Current lighting fixture may cause luminaire to fail.