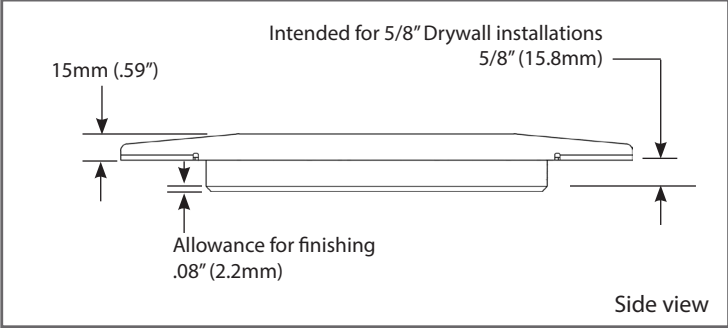
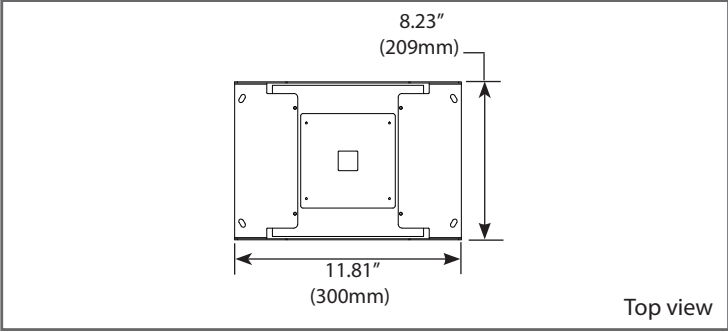
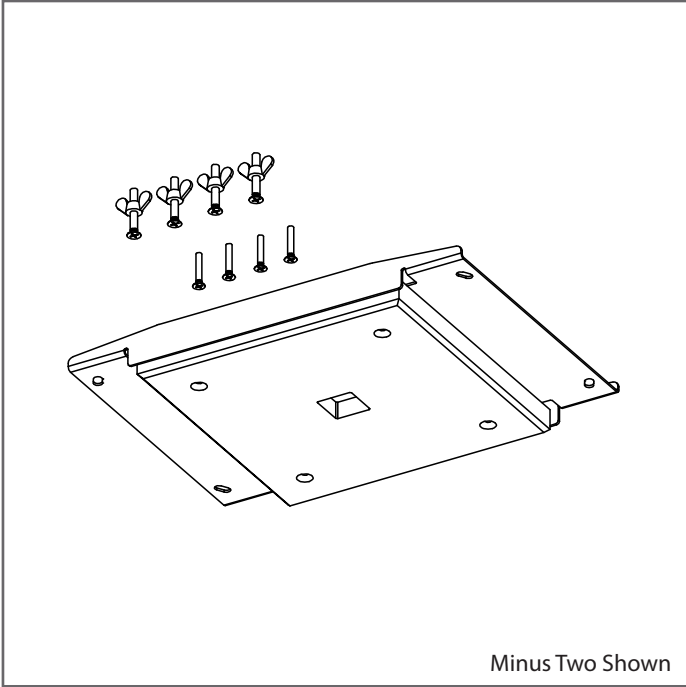


Project: _____ Type: _____



UNIVERSAL DRYWALL BRACKET

Universal Drywall Bracket - The Universal Drywall Bracket allows for easy installation of Minus One and Minus Two fixtures within existing and new drywall ceilings. The bracket kit includes a pre-cut ferrocement board for the specified Minus fixture to be installed onto. The ferrocement board is then fastened to the bracket until it is flush with the existing ceiling. The ceiling is then finished and painted as desired.

Construction

- Formed steel frame
- Includes screws for mounting to existing drywall
- Wet location by design
- M5 Hardware

Universal Drywall Construction

- The UN Construction board is constructed of gypsum ferrocement and is pre cut to fit the required cutout in your 5/8" (15.8mm) drywall with .08" (2.2mm) allowance for taping, plastering and finishing.

Trimless Recessed Installation

- The Minus Universal Drywall Bracket and hardware allows for trimless installation of the Apure Minus One or Minus Two into existing drywall ceilings or during new construction.
- Designed to provide precision alignment through the use of slotted holes.

Listings

- ETL listed, Certified to UL 2108 and UL 8750
- Wet location
- Airtight rated
- Chicago Plenum rated
- IC Rated
- Patent Pending



ORDERING INFORMATION

SERIES NO.	FIXTURE	CLASS	TYPE
AM - Minus Series	1 - Minus One 2 - Minus Two 3 - Minus Three	BRK - Bracket	U - 5/8" (15.8mm) + .08" (2.2mm) Total Board Thickness: .71" (18mm)

ORDERING EXAMPLE **AM1-BRK-U**