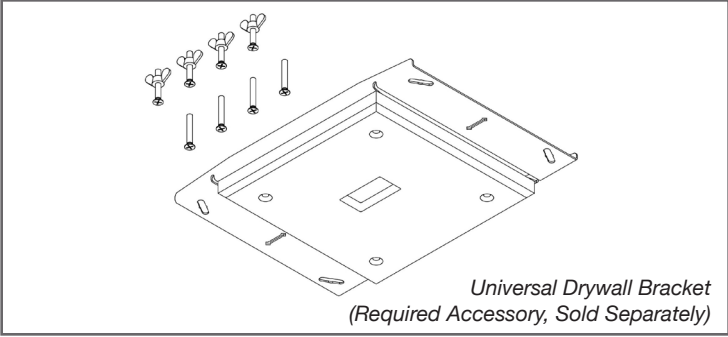
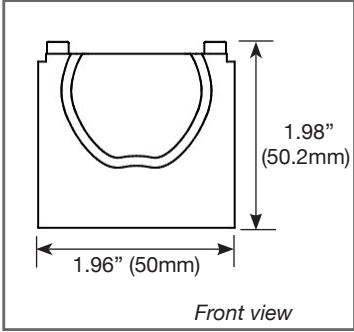
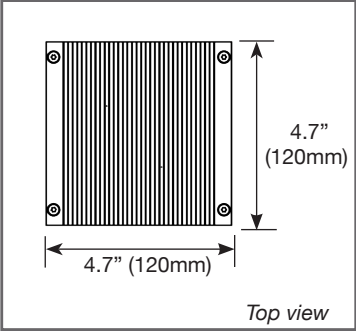


Project:	Type:
----------	-------



# MINUS THREE

**Low Voltage, Semi-Recessed Wall Washer** - The Minus Three by Apure offers state of the art technology and optics for exceptional wall washing. With a beam angle of 45° the Minus Three enables minimal light scalloping with longitudinal glare control through proprietary lens technology. A single high performance LED is combined with a robust proprietary driver ensures equal light output, regardless of voltage drops. High-tech microprocessor-controlled, thermal management ensures reliability and fixture life.

**Construction**

- Hard anodized aircraft grade aluminum heat sink
- 2x2" signature Apure magnetic snap-on lens cover, featuring propriety optics for maximum light output.
- 50,000 hours LED lifetime
- Fixture weight: 870g (1.92lbs)
- Operating Temperature: -10°C - 50°C

**Light output**

- 1140lm source light output
- Longitudinal glare control (optimized cut-off)
- Excellent uniformity with high efficiency
- High performance Cree LED at various color temperatures available
- Color rendering index 90
- Microprocessor controlled thermal protection

**Electrical Specifications**

- Class 2 Fixture
- 14W Power Consumption
- 24V DC Input
- Either MLV dimming or Lutron Hi-Lume 0.1% dimming. Dimming protocol is specific to each fixture, please check ordering info.
- 100W 24V DC Power supply required (powers up to 5 fixtures)
- Recommended wire, not included: min. 16 AWG Plenum rated (CMP) up to 150ft from remote power supply. Plenum rating not required in non plenum ceiling.

**Trimless Recessed Installation**

- Standard installation for the Minus Three is accomplished with the use of our universal bracket (AM3-BRK-U) shown above, which allows the Minus Three to be installed within new or pre-existing drywall ceilings. For complete specifications, please see the Universal Drywall Bracket cutsheet.
- 8.25" X 8.25" (209mm X 209mm) square cutout required
- Minimum recommended fixture placement from wall: 35.5" (90cm)

**Listings / Patents**

- ETL listed
- Dry location only
- Patents Pending



**ORDERING INFORMATION**

SERIES NO.	MODEL	TYPE	ORIENTATION	TEMPERATURE	CRI	LENS COVER	PROTOCOL
AM - Minus Series	3 - Minus Three	1 - LED	F - Fixed	27 - 2700k 30 - 3000k 40 - 4000k	90 - 90 CRI	WH - White BA - Black	A - Standard MLV L - Lutron Hi-Lume 0.1%

AM31F-\_\_\_\_-WH\_\_

**ORDERING EXAMPLE** AM31F-3090WHA

Project:	Type:
----------	-------

**Accessories**

**Required Accessories**

Drywall Universal Bracket  
Apure Power Supply (100W 24VDC)  
Lutron Hi-Lume Premier Ecosystem Driver

**Part Number**

AM3-BRK-U  
AA3-100-L  
L3D0-96W24V-U

**Cutsheet Available**

Yes  
Yes  
Yes, Lutron.com

**Release Date**

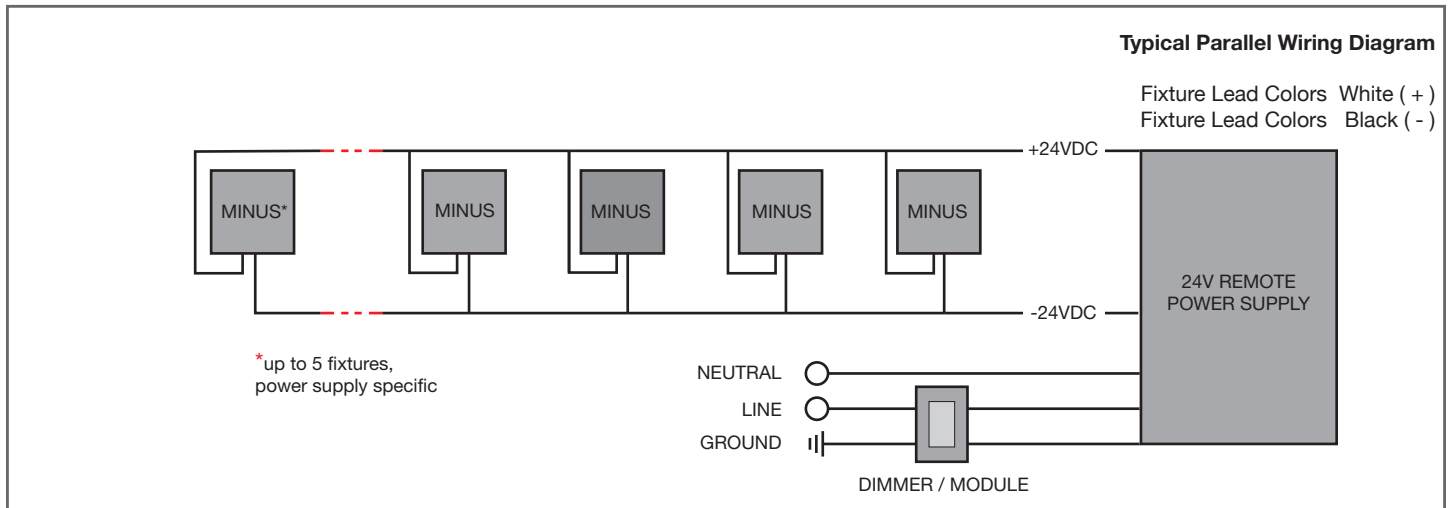
Available  
Available  
Sold by others

**Custom Installation Types**

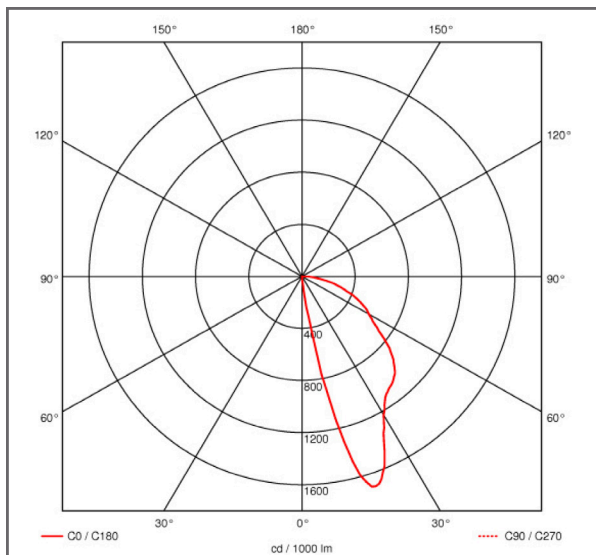
- The universal bracket (AA3-BRK-U) is intended only for drywall installations.
- System ceilings, stone, wood, fiberglass, tile and metal ceiling integrations are accomplished through custom fabrication by others.
- Speak to an authorized Minus reseller for more information about custom ceiling integrations.
- While Apure will make every effort to accommodate custom integrations, there are restrictions and not all materials are suitable for installations.
- Fixture must have a **minimum clearance** of 6 inches (15cm) below or horizontally from the light source at all times!
- Observe and follow all NEC codes, local and maritime codes, when applicable.
- Before any mudding, finishing or painting - test all fixtures are functioning properly!
- Read and adhere to all instructions supplied with each power supply and fixture!

**Wiring Diagram**

- Minus fixtures are to be wired to the power supply using min. 16AWG cable via parallel wiring.
- Operation of **up to 4** fixtures per AA3-100-L (96W) power supply.
- Operation of **up to 5** fixtures per Lutron (L3D0-96W24V-U) driver.
- Follow all instructions supplied by power supply / driver manufacturer!
- Before any mudding, finishing or painting - test that all fixtures are functioning properly!



**Light Distribution**



**Installation Instructions**

Installation instructions are available at [apure-system.com](http://apure-system.com) and can be found on the resources page. You can additionally scan the QR code below, which is a direct link to the Minus Three installation instructions.

