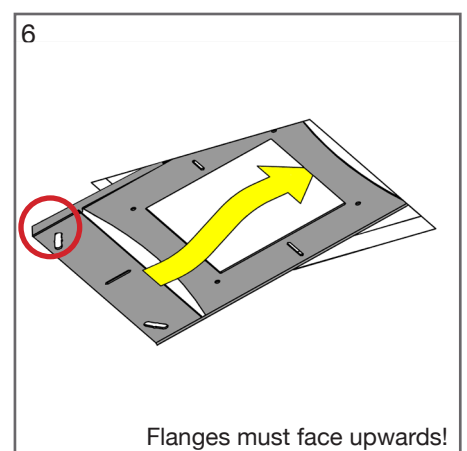
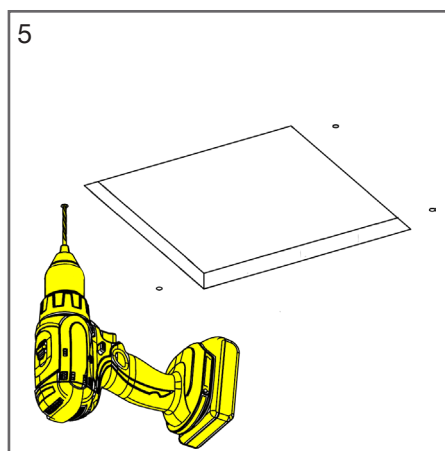
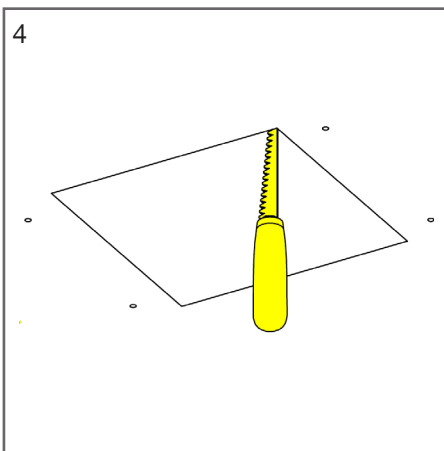
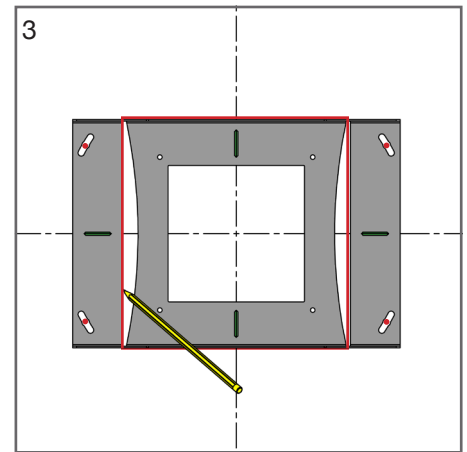
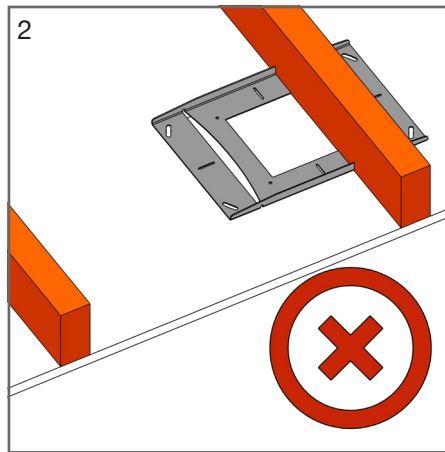
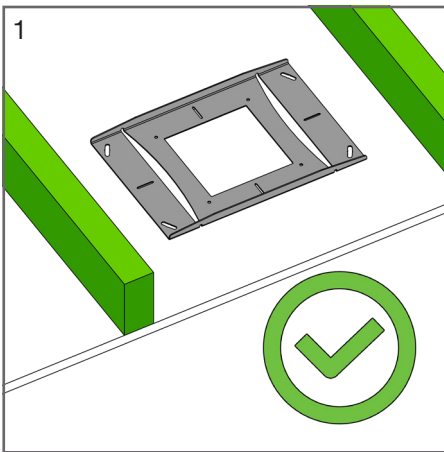




APURE MINUS TWO: INSTALLATION SEQUENCE USING THE UNIVERSAL DRYWALL BRACKET

- DO NOT INSTALL DAMAGED PRODUCT! Upon receipt, thoroughly inspect for any freight damage which should be brought to the attention of the delivery carrier.
- Compare the catalog description listed on the packing slip with the label on the carton to ensure you have received the correct merchandise.
- Read and familiarize yourself with the nomenclature and instructions before starting installation.
- RISK OF ELECTRIC SHOCK! Turn off electricity at the breaker panel or fuse box and follow NEC and all local electrical building codes and practices.
- RISK OF INJURY! Avoid direct eye exposure to the light source while it is on.
- Do not install directly to line voltage! Remote power supply is required. Follow all instructions supplied by the manufacturer!
- Do not power on fixture with installation plug inserted.
- Avoid direct contact with light source. Aperture must have a minimum clearance of 1 foot (30cm) at all times.
- Do not submerge this product under water.

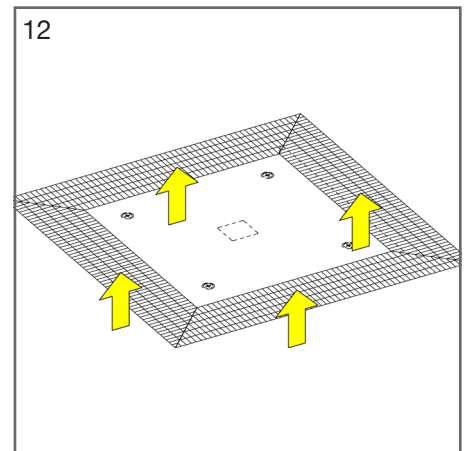
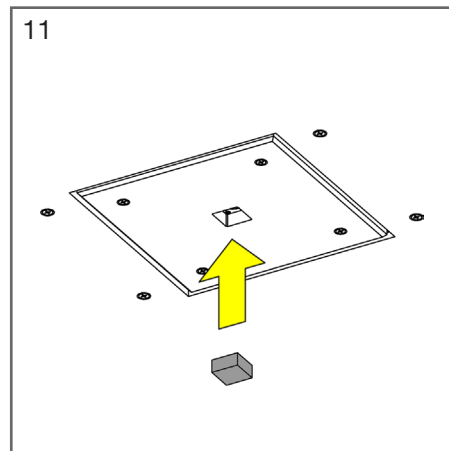
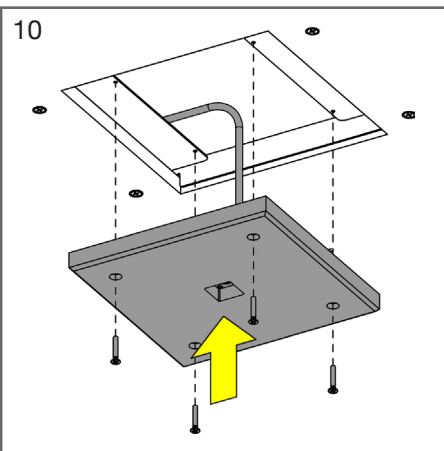
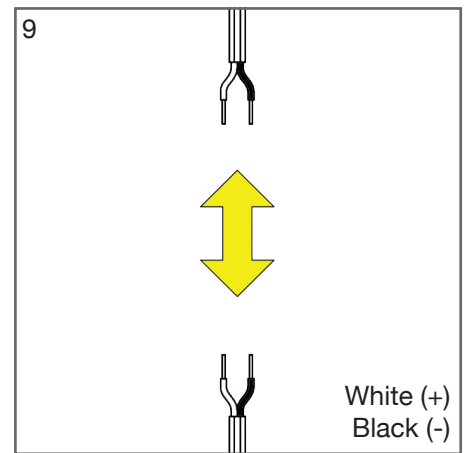
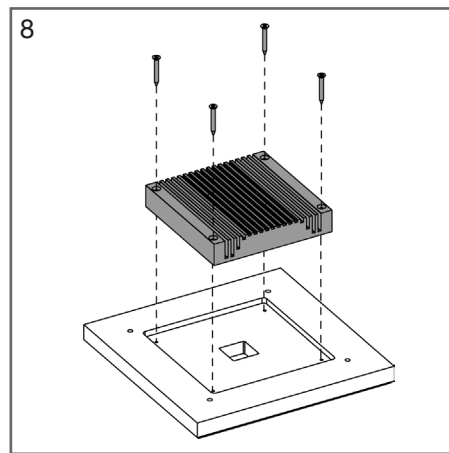
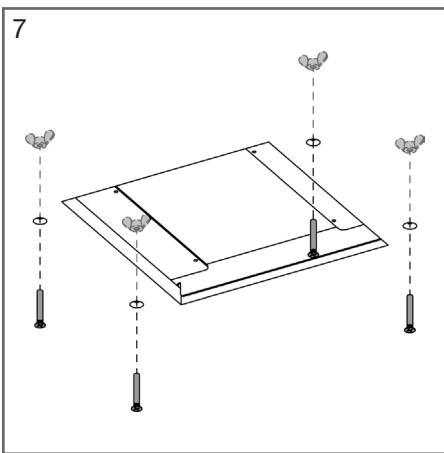


- (1) The universal drywall bracket (AM1-BRK-U) measures 300mm X 209mm. Ensure that the existing framing or studs will not interfere with the intended fixture location including mounting bracket!
- (2) Ensure that the fixture will not impact studs or framing behind drywall!
- (3) Use the included bracket as the template to mark square cut lines and 4x drill locations onto the existing drywall. Ensure the marks are properly aligned onto the final desired location by using chalk or laser lines.
- (4) Cut square opening 8.25" X 8.25"(209mm X 209mm) that was marked during step (3).
- (5) Drill 4x holes marked using template in step (3).
- (6) Insert the universal drywall bracket into hole created during step (4). The flanges along the side of the bracket must always face upwards!



APURE MINUS TWO: INSTALLATION SEQUENCE USING THE UNIVERSAL DRYWALL BRACKET

- DO NOT INSTALL DAMAGED PRODUCT! Upon receipt, thoroughly inspect for any freight damage which should be brought to the attention of the delivery carrier.
- Compare the catalog description listed on the packing slip with the label on the carton to ensure you have received the correct merchandise.
- Read and familiarize yourself with the nomenclature and instructions before starting installation.
- RISK OF ELECTRIC SHOCK! Turn off electricity at the breaker panel or fuse box and follow NEC and all local electrical building codes and practices.
- RISK OF INJURY! Avoid direct eye exposure to the light source while it is on.
- Do not install directly to line voltage! Remote power supply is required. Follow all instructions supplied by the manufacturer!
- Do not power on fixture with installation plug inserted.
- Avoid direct contact with light source. Aperture must have a minimum clearance of 1 foot (30cm) at all times.
- Do not submerge this product under water.

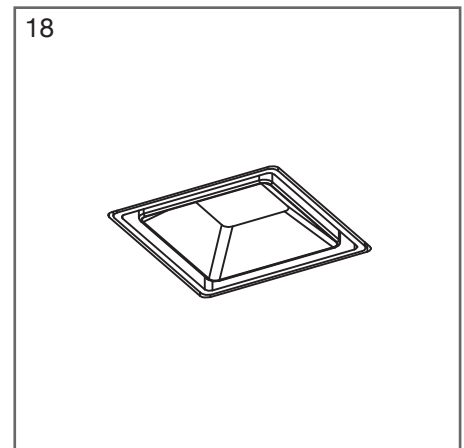
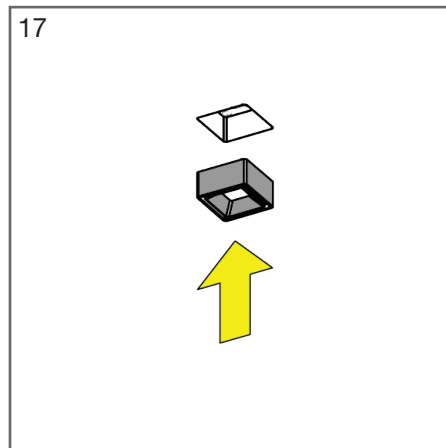
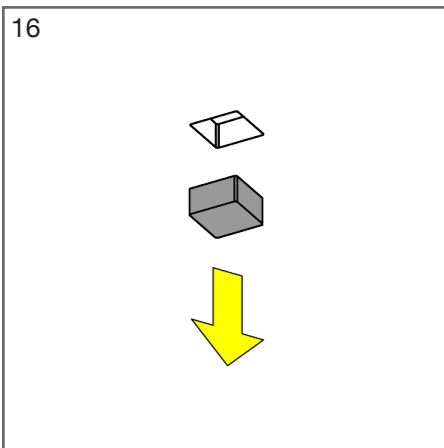
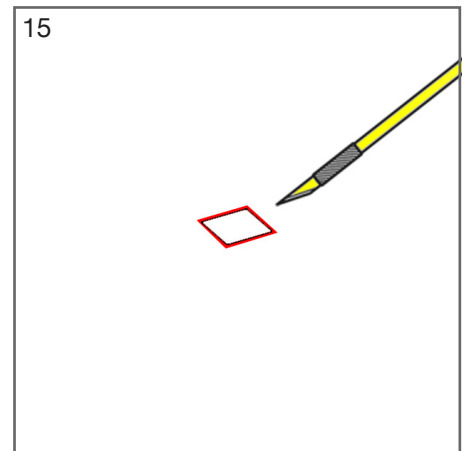
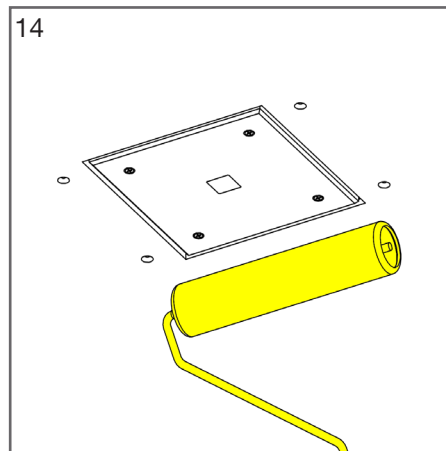
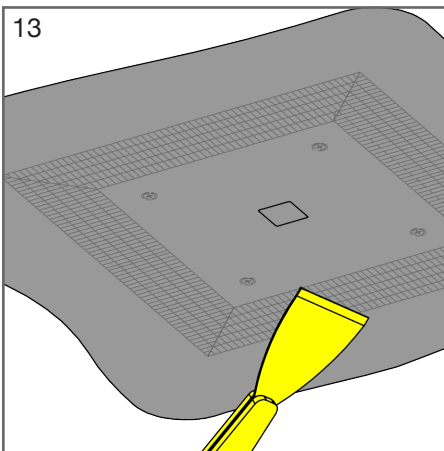


- (7) Insert 4x included screws through drywall holes created during step (5) and reach into opening in order to install 4x wing-nuts to secure the installation bracket.
- (8) Install the Minus fixture (AM21F) onto installation board using included pointed drywall screws.
- (9) Make electrical connection. The white wire indicates the positive pole, the black the negative pole. Electrical connectors and 16AWG wire NOT included.
- (10) Install fixture into the opening created during step (4) and secure 4x screws through the fixture into the bracket in order to mount the fixture.
- TEST ALL CONNECTIONS AND MAKE FIXTURES ARE FUNCTIONING PROPERLY BEFORE PROCEEDING!**
- (11) Insert the included foam plug. This plug helps to ensure plaster and paint do not enter the light opening.
- (12) Tape the seams of the fixture prior to plastering.



APURE MINUS TWO: INSTALLATION SEQUENCE USING THE UNIVERSAL DRYWALL BRACKET

- DO NOT INSTALL DAMAGED PRODUCT! Upon receipt, thoroughly inspect for any freight damage which should be brought to the attention of the delivery carrier.
- Compare the catalog description listed on the packing slip with the label on the carton to ensure you have received the correct merchandise.
- Read and familiarize yourself with the nomenclature and instructions before starting installation.
- RISK OF ELECTRIC SHOCK! Turn off electricity at the breaker panel or fuse box and follow NEC and all local electrical building codes and practices.
- RISK OF INJURY! Avoid direct eye exposure to the light source while it is on.
- Do not install directly to line voltage! Remote power supply is required. Follow all instructions supplied by the manufacturer!
- Do not power on fixture with installation plug inserted.
- Avoid direct contact with light source. Aperture must have a minimum clearance of 1 foot (30cm) at all times.
- Do not submerge this product under water.



- (13) Block coat seams of tape. **Apply Skim coat the surface of the installation board and plaster the taped seams. The top layer of the finishing board only requires one skim coat and additional build up will result in an imperfect finish.**
- (14) Paint the surface the desired color. Only add as much paint as necessary.
- (15) Using a sharp blade, carefully cut along the edge of the finishing plug to remove any paint that may have bonded.
- (16) Remove the protective foam insert installed during step (11).
- (17) Install magnetic snap-in louver into the center hole.
- (18) The installation is now complete.

THESE INSTRUCTIONS DO NOT PURPORT TO COVER ALL DETAILS OR VARIATIONS IN EQUIPMENT NOR TO PROVIDE FOR EVERY POSSIBLE CONTINGENCY TO BE MET IN CONNECTION WITH INSTALLATION, OPERATION OR MAINTENANCE. SHOULD FURTHER INFORMATION BE DESIRED OR SHOULD PARTICULAR PROBLEMS ARISE WHICH ARE NOT COVERED SUFFICIENTLY FOR THE CUSTOMER/OPERATOR'S PURPOSES THE MATTER SHOULD BE REFERRED TO APURE DISTRIBUTION, LLC