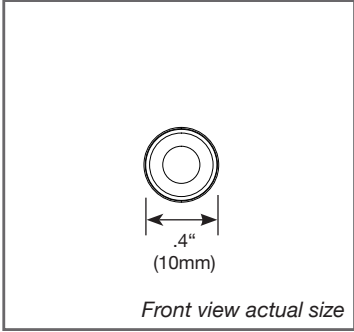
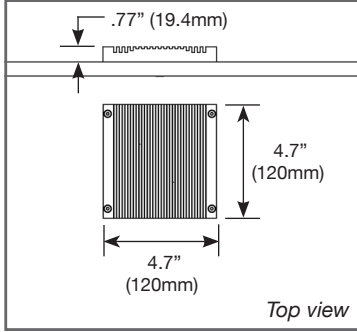
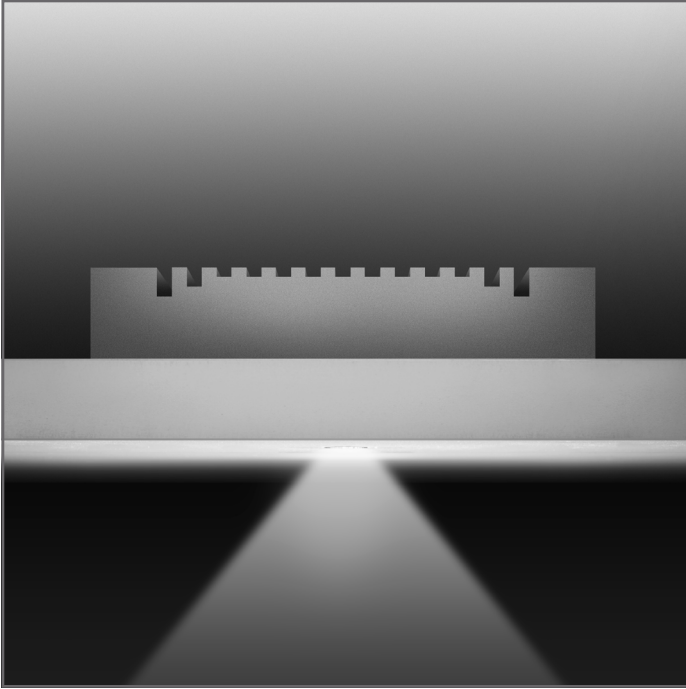


Project: _____ Type: _____



MINUS ONE ELEMENTS

Low Voltage, Recessed Downlight - The Minus One Elements series by Apure brings sophistication to spaces exposed to the elements, water jets and rough seas with its never-before-seen performance combined with a glare-free appearance. A single high performance LED is combined with precision-focusing optics to create an unprecedented light fixture. A robust proprietary driver ensures equal light output, regardless of voltage drops. High-tech microprocessor-controlled, thermal management ensures reliability and a long life.

Construction

- Hard anodized aircraft grade aluminum heat sink
- Proprietary optics for maximum light output
- 50,000 hours LED lifetime
- Fixture weight: 720g (1.58lbs)
- Operating Temperature: -10°C - 50°C

Light output

- 1140lm source light output
- Sharply defined 20° or 40° light output
- High performance Cree LED at various color temperatures available
- Color rendering index 90
- Microprocessor controlled thermal protection

Electrical Specifications

- Class 2 Fixture
- 14W Power Consumption
- 24V DC Input
- Either MLV dimming or Lutron Hi-Lume 0.1% dimming. Dimming protocol is specific to each fixture, please check ordering info.
- 100W 24V DC Power supply required (powers up to 5 fixtures)
- Recommended wire, not included: min. 16 AWG Plenum rated (CMP) up to 150ft from remote transformer.

Installations

- The Minus One Elements series can be installed in a variety of different materials, including wood, fiberglass, metal, tile and drywall ceilings.
- Please complete the attached questionnaire for material evaluation by Apure's engineering department for installation of the Minus One Elements series within your desired material.
- This fixture is not intended for saunas and steam rooms.

Listings / Patents

- ETL listed, Certified to UL 2108, UL 8750, IEC STD 60529, NEMA 250, UL 50E
- IP66 Rated - Dust tight / Protected against powerful water jets
- Airtight rated / Chicago Plenum rated
- IC rated / Wet location listed
- Patent Pending



ORDERING INFORMATION

SERIES NO.	MODEL	TYPE	ORIENTATION	TEMP.	CRI	LENS	IP RATING	PROTOCOL
AM - Minus Series	1 - Minus One	1 - LED	F - Fixed	27 - 2700k 30 - 3000k 40 - 4000k	90 - 90 CRI	S - 20° Spot F - 40° Flood	IP - IP66 Rated	A - Standard MLV L - Lutron Hi-Lume

AM11F-____

ORDERING EXAMPLE AM11F-4090FIPA

Project:	Type:
----------	-------

Accessories

Required Accessories

Apure Power Supply (100W 24VDC)
Lutron Hi-Lume Premier Ecosystem Driver*

Part Number

AA3-100-L
L3D0-96W24V-U

Cutsheet Available

Yes
Yes, Lutron.com

Release Date

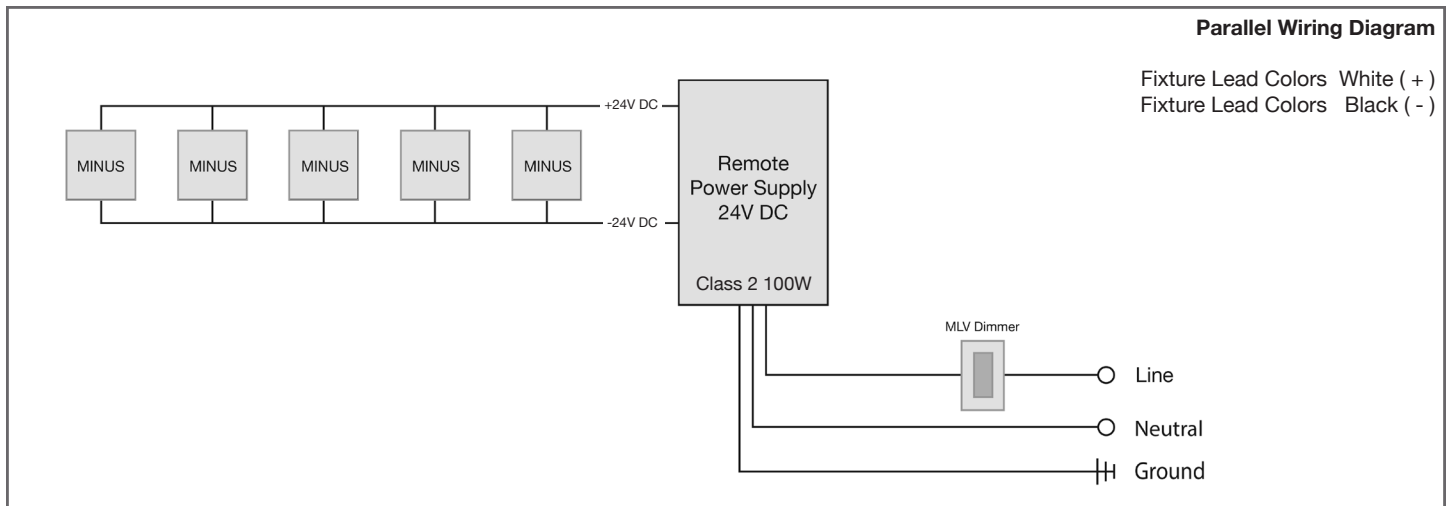
Available
Q3 2018

Custom Installation Types

- The universal bracket (AA2-BRK-U) is intended only for drywall installations.
- System ceilings, stone, wood, fiberglass, tile and metal ceiling integrations are accomplished through custom fabrication by others.
- Speak to an authorized Minus reseller for more information about custom ceiling integrations.
- While Apure will make every effort to accommodate custom integrations, there are restrictions and not all materials are suitable for installations.
- Fixture must have a **minimum clearance** of 6 inches (15cm) below or horizontally from the light source at all times!
- Observe and follow all NEC codes, local and maritime codes, when applicable.
- Read and adhere to all instructions supplied with each power supply and fixture!

Wiring Diagram

- Minus fixtures are to be wired to the power supply using min. 16AWG cable via parallel wiring.
- Operation of up to 5 fixtures requires one 96-100W power supply.
- Follow all instructions supplied by power supply / driver manufacturer!
- Before any mudding, finishing or painting - test that all fixtures are functioning properly!



Project: _____	Type: _____
----------------	-------------

Outdoor and Marine Custom Installation Questionnaire

The Minus One Element series is designed to allow installation in a variety of different materials. As with any special installation, there are limitations. To determine if an installation within your desired material is possible, please fill out the questionnaire below and return it to your authorized Minus reseller for consideration. *All fields, including signature is required.*

Full Name

Project Name

Company Name

Required Questions

- | | |
|-----------------------------------------------------------------------------------------------|------------------------------------------|
| 1. Where are you planning on installing this fixture? (circle one) | Interior / Exterior |
| 2. Is this fixture being installed on a vessel? | Yes / No |
| 3. If you selected exterior for question 2, is the structure open or closed? (circle one) | Open / Closed |
| 4. Is this for new construction or retrofit construction? (circle one) | New Construction / Retrofit Construction |
| 5. Is the ceiling a plenum/air return ceiling? (circle one) | Yes / No |
| 6. What material are you planning to install the fixture in? | _____ |
| 7. Does the desired material have any certifications/listings? (circle one) | Yes / No |
| 8. If you answered yes to question 7, what certifications/listings does the material have? | _____ |
| 9. What is the total thickness of the desired material? | Thickness: ____Inches (____ cm) |
| 10. What are the dimensions of the desired material? (Length and Width) | Length: ____Inches (____ cm) |
| | Width: ____Inches (____ cm) |
| 11. Does the ceiling material have additional backing material? (circle one) | Yes / No |
| 12. If you answered yes to question 11, what is the backing material? | _____ |
| 13. What is the total thickness of the backing material? | ____Inches (____ cm) |
| 14. Can your installer route and/or cut the material according to shop drawings? (circle one) | Yes / No |
| 15. Will the fixture has a one foot clearance below the opening? | Yes / No |
| 16. Will the fixture be submerged under water? (circle one) | Yes / No |
| 17. What is the target installation date? | _____ |
| 18. How many fixtures do you require for this project? | _____ |

Additional Information

To assist our engineering team, provide specification sheets for the material in which you would like to have the Minus One Elements Series installed.

Acknowledgment / Signature

I understand that the Minus One Element Series is a certified low voltage class 2 fixture and that I am fully responsible to conform to all NEC codes and all local and/or maritime codes when installing in the desired special material. I have completed the questionnaire to the best of my ability and understand that installation within the special material may not be possible. I understand and accept that Apure Distribution, LLC and its authorized resellers are not responsible for improper installation, code violations, or any damages resulting from special material installations both structural or monetary.

Signature _____ Printed Name _____ Date _____

Email Address _____