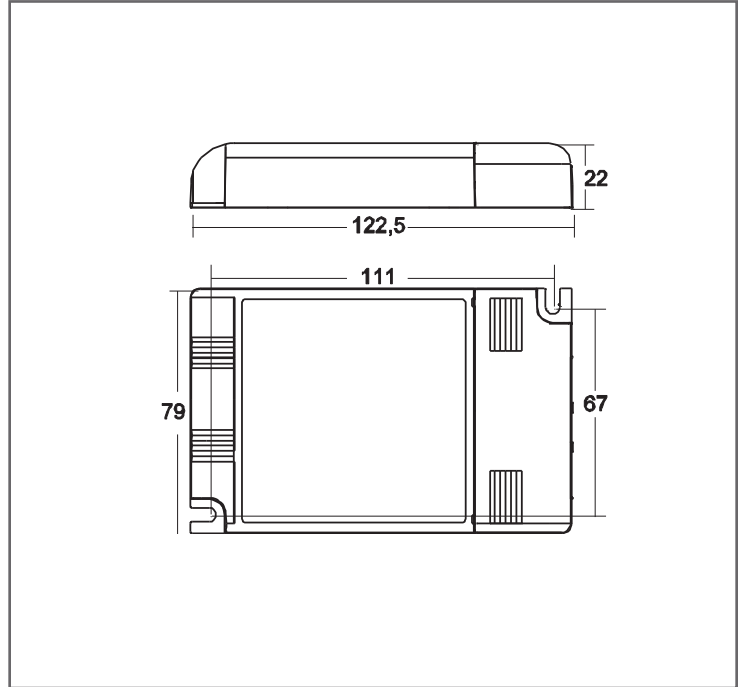




For illustrative purposes only!



# MINUS UNV DALI Power Supply (1-4 Fixtures)

**Minus UNV Dimmable Power Supply** - The Minus Power supply can power 1-4 European type Minus fixtures (12.5W) and is dimmable via multiple dimming protocols and features short circuit protection, over-heat and overload protection. Dimming is accomplished through DALI, Push button, or 1-10V interface and adjustable DIP-switches.

**Technical Data**

- Input Voltage: 110-127Vac - 50/60Hz  
220-240V 0/50/60Hz
- Output Voltage: Variable, please see page 2
- Rated Power: 30-65W
- Dimming Protocol: DALI, Push Button, 0-10V
- Ambient Temperature: -25°C - +45°C
- Case Temperature Max: 85°C
- Power factor (λ): 0,95
- Protection Mechanism: short circuit, over load, over temperature

**Installation/ Wiring:**

- Please see attached wiring diagram.
- Installation requires wire AWG 16 / 1.5mm<sup>2</sup>

**Product Details**

- Driver Dimensions: 122.5mm x 79mm x 22mm
- Weight: 215g

**Listings / Certifications**

- Safety Class: II
- Protection Class: IP20
- SELV
- CE Rated

**ORDERING INFORMATION**



SERIES NO.	MODEL	TYPE	REGION
AA3	DALI - 1-4 fixtures	D- DC output	EU - Euro/Int'l

AA3-DALI-D-EU

**ORDERING EXAMPLE** AA3-DALI-D-EU

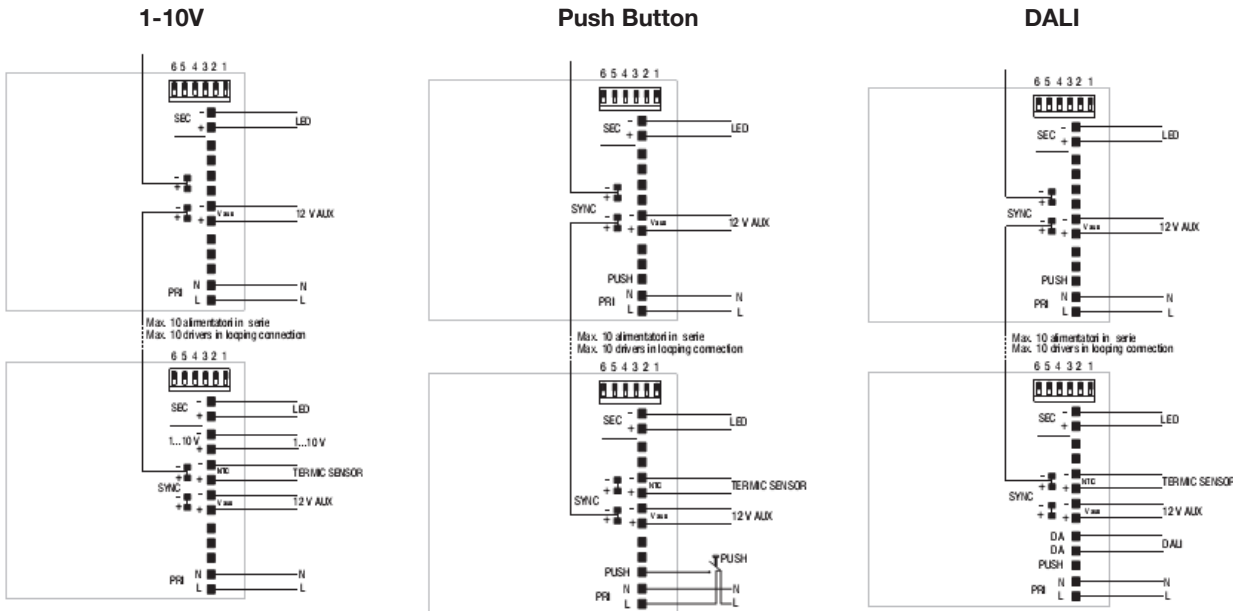
**Note**

- Please reset the device after using push button by shorting the 1-10V interface about 2 sec.
- The maximum length of the output cable to the LED lamps should not exceed 10m in order to meet the EMC Standard (at 1mm<sup>2</sup>)

**Output Adjustable by DIP Switch**

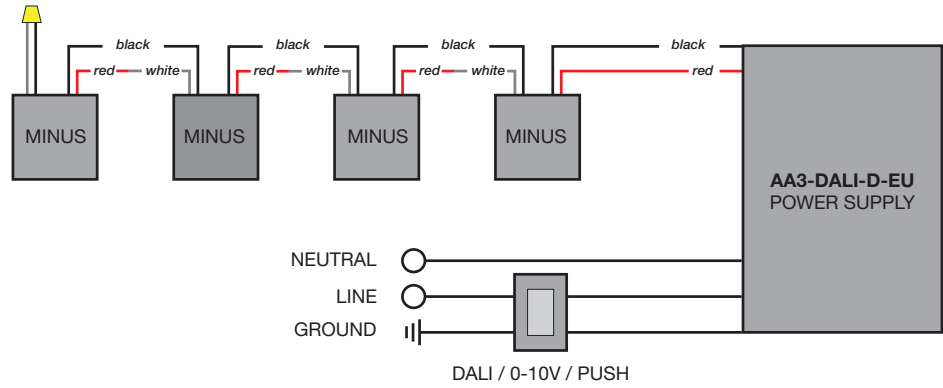
Secondary	110-127V		220-240V	
350mA	25W	2-74Vdc	25W	2-74Vdc
500mA	35W	2-72Vdc	35W	2-72Vdc
550mA	39W	2-72Vdc	39W	2-72Vdc
650mA	40W	2-62Vdc	46W	2-72Vdc
700mA	40W	2-57Vdc	50W	2-71Vdc
750mA	40W	2-53Vdc	50W	2-66Vdc
850mA	40W	2-47Vdc	50W	2-58Vdc
900mA	40W	2-44Vdc	50W	2-55Vdc
1050mA	40W	2-38Vdc	50W	2-48Vdc
48V	40W	800mA	50W	1050mA

**Connection Samples**



**WIRING DIAGRAM**

The white and black fixture cables of the last light in the series must be bridged together.



**VERDRAHTUNGS DIAGRAMM**

Das weiße und schwarze Kabel der letzten Leuchte muss immer mit einer Brücke versehen werden (ist im Lieferumfang enthalten/ schon montiert)

