

# OPUS AURA

**HVAC Module** - The Opus Aura is an HVAC diffuser integrated into the Opus profile to discreetly provide heating and cooling seamlessly alongside Opus lighting fixtures. It is available in a 4' length (121.92cm) with the option of either standard output module A or high output module B diffuser opening. The Opus Aura features an adjustable diffuser blade to direct the flow air pattern only where it is desired.

**Construction**

- 4' (60.96cm) module integrated into the Opus profile connect during installation to any other Opus profile.
- Adjustable Diffuser blade adjusts from -40° to 40°
- Reversible assembly ensures air entry from left or right
- Natural anodized or black anodized finishes available.
- Module A is outfitted with a single air inlet collar (16"x3")
- Module B is outfitted with a double air inlet 2x (16"x3")
- Made in Germany, Design by Porsche Design Studio

**Mounting**

- Mounting bracket included per profile to attach to existing structure. 2 brackets per Aura profile.
- Profile must be mounted using threaded rod or other load rated attachment method to the existing structure.
- Final installation to be determined by licensed contractor.

**Listings**

- ETL Listed, Dry Location
- Airtight Listed.
- CCSA Chicago plenum

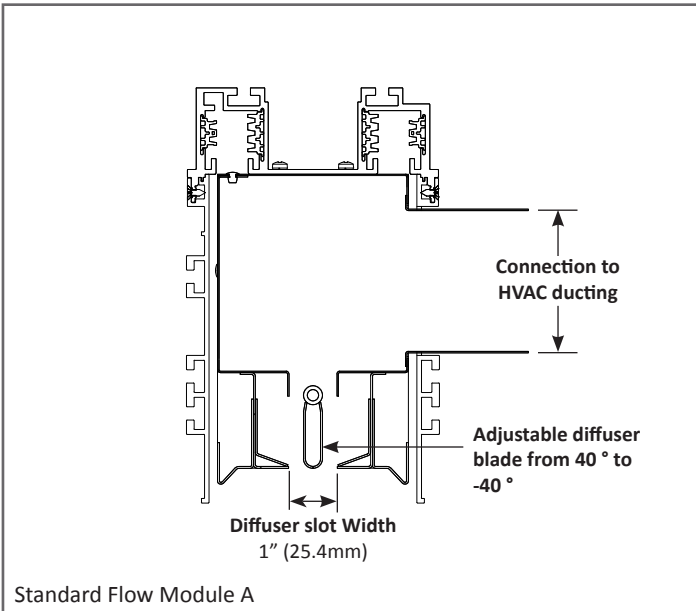
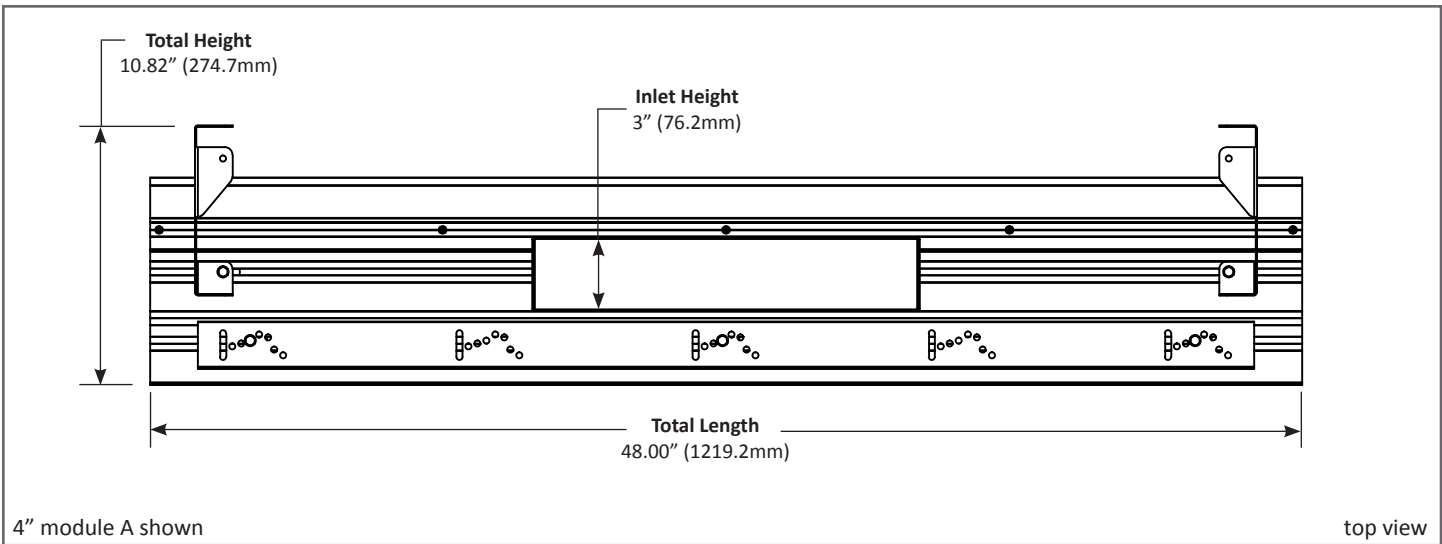
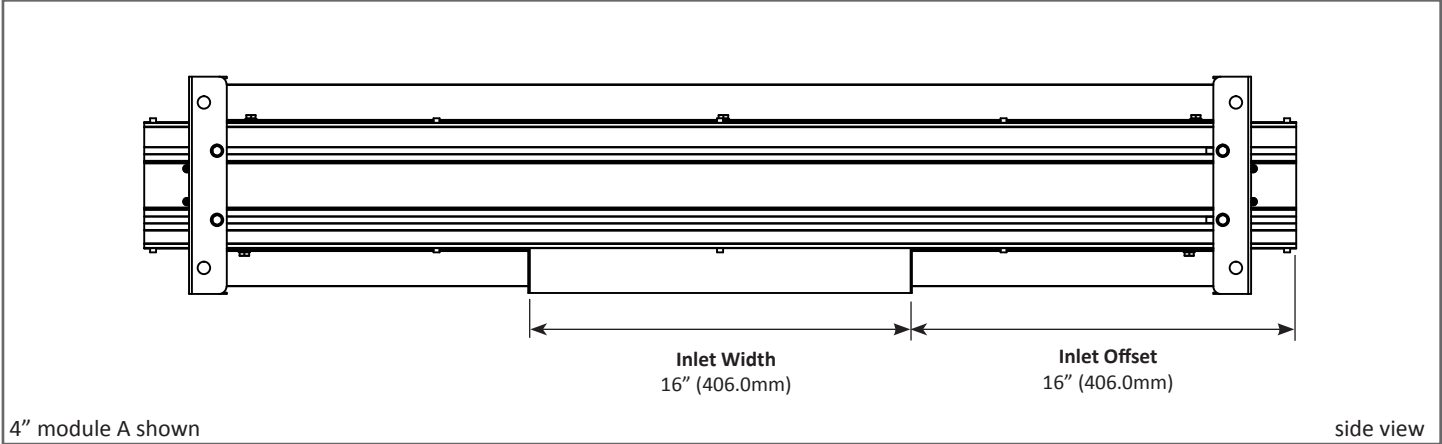


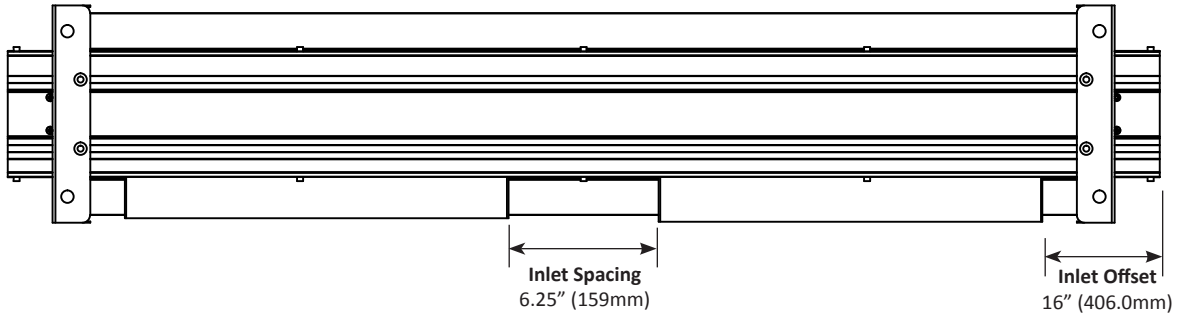
**ORDERING INFORMATION**

SERIES NO.	MODULE	PROFILE FINISH	MODULE FINISH	LOUVER FINISH	MODULE TYPE
AS2 - Aura Module	4 - 4' Diffuser (122cm)	WH - white powder coat NA - natural anodized BA - black anodized	NA - natural anodized BA - black anodized	WH - white powder coat NA - natural anodized BA - black anodized TI - titan anodized GO - gold anodized BR - bronze anodized GM - gun metal anodized RG - rose gold anodized	1 - Module A 2 - Module B

AS24 - \_\_ / \_\_ / \_\_ - \_\_

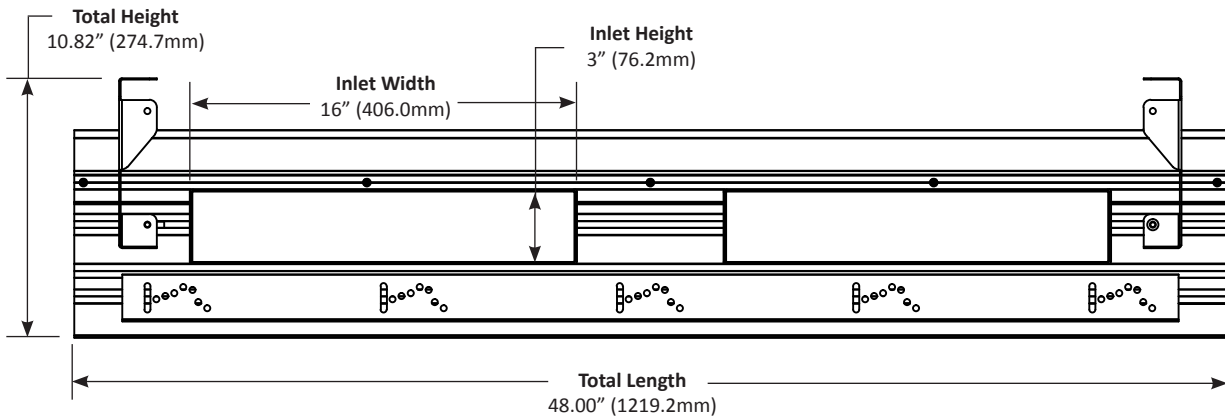
**ORDERING EXAMPLE AS24-WH/NA/WH-1**





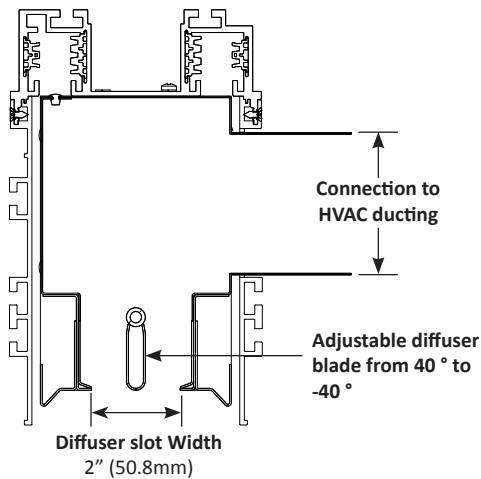
4" High Output Module B shown

Side view



4" High Output Module B shown

Top view



High Flow Module B