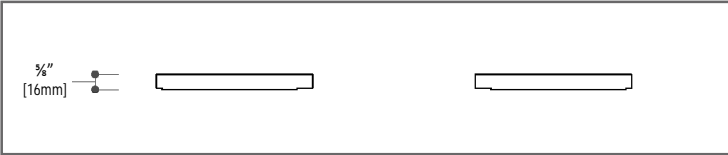
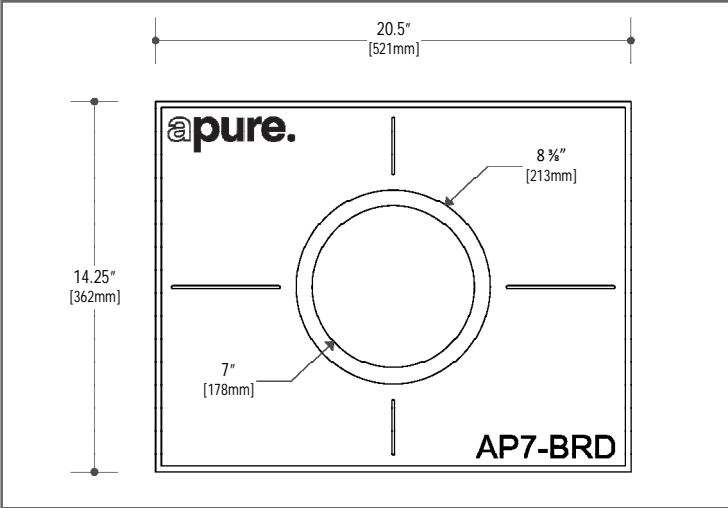
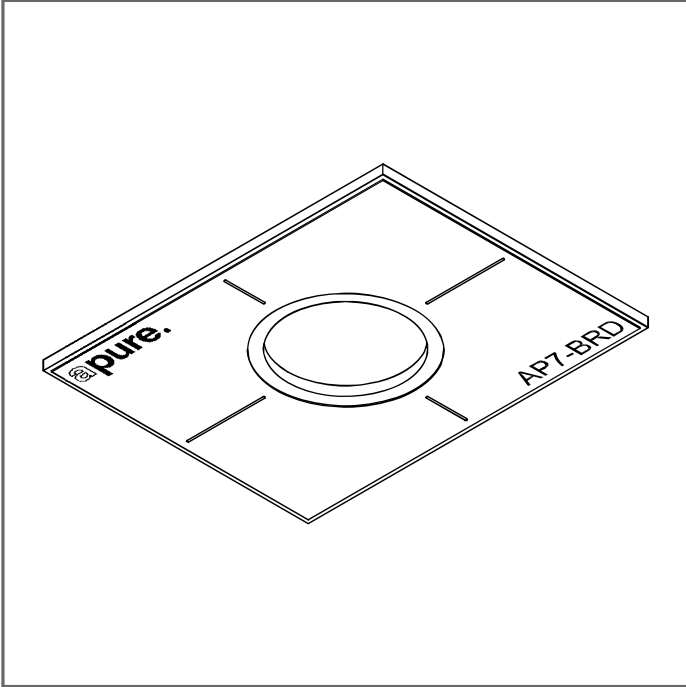


Project: _____ Type: _____



VELO installation board

Installation Board - For use with Velo and Velo Radius fixtures.
This cutsheet applies to the following lamp types: MR16 Halogen, LED

Construction

- Made from gypsum and recycled paper fibres, mixed and pressed under high pressure to a thickness of 5/8" (16mm). The boards are then dried and coated with a water repellent and cut to a size of 20.5" (521mm) x 14.25" (362mm).
- Guide lines are milled into the board for precise alignment during installation.
- Inner rings allow for slight fixture adjustment after board is installed.

Mounting

- Please refer to installation instructions for Velo installation board mounting.

Listings

- ETL listed, damp location



ORDERING INFORMATION

SERIES NO.	REGION
AP7-BRD - Velo Installation Board	US - US Version - 5/8" (16mm)

AP7-BRD-US

ORDERING EXAMPLE **AP7-BRD-US**