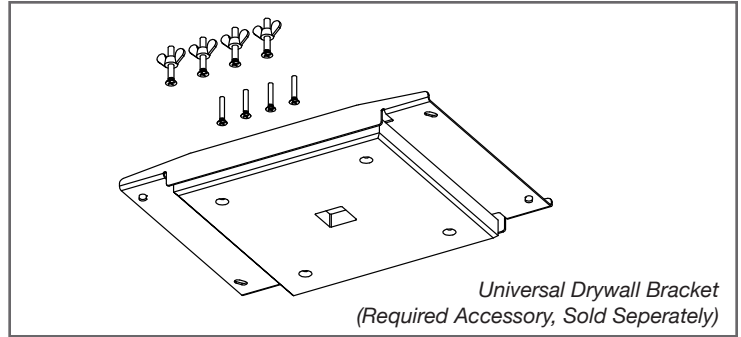
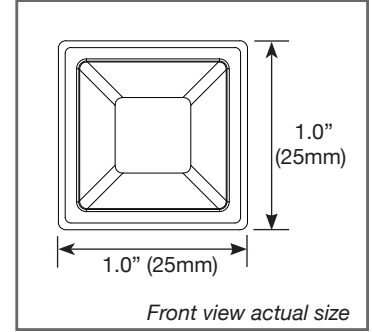
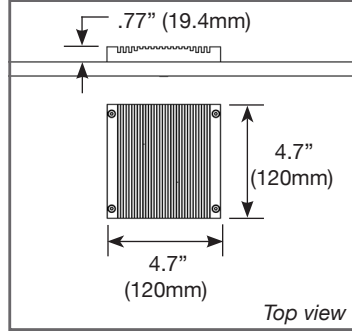


Project: _____ Type: _____



MINUS TWO

Low Voltage, Recessed Downlight - The Minus downlight series by Apure brings sophistication to interior spaces with its never-before-seen performance combined with a glare-free appearance. A single high performance LED is combined with precision-focusing optics to create an unprecedented light fixture. A robust proprietary driver ensures equal light output, regardless of voltage drops. High-tech microprocessor-controlled, thermal management ensures reliability and a long life.

Construction

- Hard anodized aircraft grade aluminum heat sink
- 1" black signature apure magnetic snap-in square louver, **Designed by Porsche Design Studio**, featuring propriety optics for maximum light output
- 50,000 hours LED lifetime
- Fixture weight: 720g (1.58lbs)
- Operating Temperature: -10°C - 50°C
- Not intended for steam rooms / saunas!

Light output

- 1140lm source light output
- Sharply defined 20° or 40° light output
- High performance Cree LED at various color temperatures available
- Color rendering index 90
- Microprocessor controlled thermal protection

Electrical Specifications

- Class 2 Fixture
- 14W Power Consumption
- 24V DC Input
- Either MLV dimming or Lutron Hi-Lume 0.1% dimming. Dimming protocol is specific to each fixture, please check ordering info.
- 100W 24V DC Power supply required (powers up to 5 fixtures)
- Recommended wire, not included: min. 16 AWG Plenum rated (CMP) up to 150ft from remote transformer. Plenum rating not required in non plenum ceiling.

Trimless Recessed Installation

- Standard installation for the Minus Two is accomplished with the use of our universal bracket (AM2-BRK-U) shown above, which allows the Minus Two to be installed within new or pre-existing drywall ceilings. For complete specifications, please see the Universal Drywall Bracket cutsheet.
- 8.25" X 8.25" (209mm X 209mm) square cutout required

Listings / Patents

- ETL listed, Certified to UL 2108 and UL 8750
- Airtight rated / Chicago Plenum rated
- IC rated / Wet location listed
- Patent Pending



ORDERING INFORMATION

SERIES NO.	MODEL	TYPE	ORIENTATION	TEMPERATURE	CRI	LENS	PROTOCOL
AM - Minus Series	2 - Minus Two	1 - LED	F - Fixed	27 - 2700k 30 - 3000k 40 - 4000k	90 - 90 CRI	S - 20° Spot F - 40° Flood	A - Standard MLV L - Lutron Hi-Lume 0.1%

AM21F-____

ORDERING EXAMPLE AM21F-4090SA

Project:	Type:
----------	-------

Accessories

Required Accessories

Drywall Universal Bracket
Apure Power Supply (100W 24VDC)
Lutron Hi-Lume Premier Ecosystem Driver*

Part Number
AA2-BRK-U
AA3-100-L
L3D0-96W24V-U

Cutsheet Available
Yes
Yes
Yes, Lutron.com

Release Date
Available
Available
Sold by others

Optional Accessories

Signature Magnetic Louver White

Part Number
AA1-WH-M

Cutsheet Available
No

Release Date
Available

Custom Installation Types

- The universal bracket (AA2-BRK-U) is intended only for drywall installations.
- System ceilings, stone, wood, fiberglass, tile and metal ceiling integrations are accomplished through custom fabrication by others.
- Speak to an authorized Minus reseller for more information about custom ceiling integrations.
- While Apure will make every effort to accomidate custom integrations, there are restrictions and not all materials are suitable for installations.
- Fixture must have a **minimum clearance** of 6 inches (15cm) below or horizontally from the light source at all times!
- Observe and follow all NEC codes, local and maritime codes, when applicable.
- Before any mudding, finishing or painting - test all fixtures are functioning properly!
- Read and adhere to all instructions supplied with each power supply and fixture!

Installation Instructions

Installation instructions are available at apure-system.com and can be found on the resources page. You can additionally scan the QR code below, which is a direct link to the Minus Two installation instructions.



Wiring Diagram

- Minus fixtures are to be wired to the power supply using min. 16AWG cable via parallel wiring.
- Operation of up to 4 fixtures per AA3-100-L (96W) power supply.
- Operation of up to 4 fixtures per Lutron (L3D0-96W24V-U) driver.
- Follow all instructions supplied by power supply / driver manufacturer!
- Before any mudding, finishing or painting - test that all fixtures are functioning properly!

