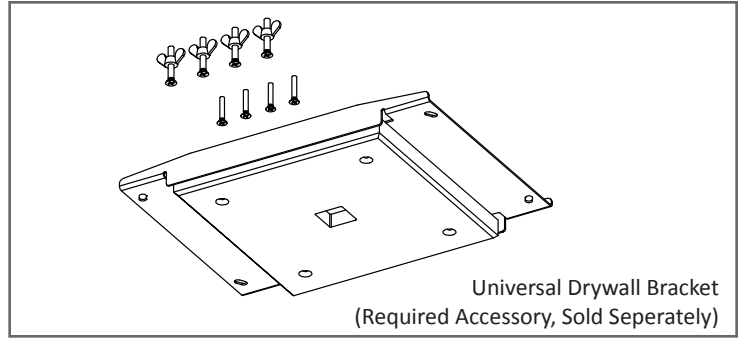
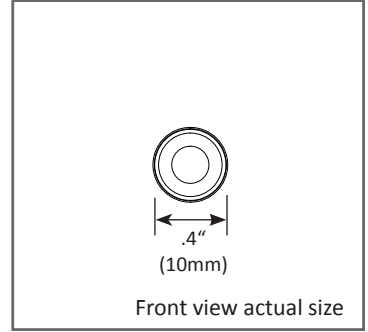
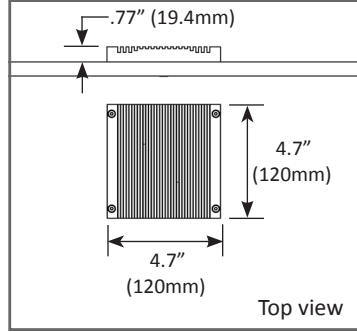


Project: _____ Type: _____



MINUS ONE

Low Voltage, Recessed Downlight - The Minus downlight series by Apure brings sophistication to interior spaces with its never-before-seen performance combined with a glare-free appearance. A single high performance LED is combined with precision-focusing optics to create an unprecedented light fixture. A robust proprietary driver ensures equal light output, regardless of voltage drops. High-tech microprocessor-controlled, thermal management ensures reliability and a long life.

Construction

- Hard anodized aircraft grade aluminum heat sink
- Proprietary optics for maximum light output
- 50,000 hours LED lifetime
- Fixture weight: 720g (1.58lbs)
- Operating Temperature: -10°C - 50°C
- Not intended for steam rooms / saunas!

Light output

- 1140lm source light output
- Sharply defined 20° or 40° light output
- High performance Cree LED at various color temperatures available
- Color rendering index 90
- Microprocessor controlled thermal protection

Electrical Specifications

- Class 2 Fixture
- 14W Power Consumption
- 24V DC Input
- Either MLV dimming or Lutron Hi-Lume 0.1% dimming. Dimming protocol is specific to each fixture, please check ordering info.
- 100W 24V DC Power supply required (powers up to 4 fixtures)
- Recommended wire, not included: min. 16 AWG Plenum rated (CMP) up to 150ft from remote transformer. Plenum rating not required in non plenum ceiling.

Trimless Recessed Installation

- Standard installation for the Minus One is accomplished with the use of our universal bracket (AM1-Brk-U) shown above, which allows the Minus One to be installed within new or pre-existing drywall ceilings. For complete specifications, please see the Universal Drywall Bracket cutsheet.
- 8.25" X 8.25" (209mm X 209mm) square cutout required

Listings / Patents

- ETL listed, Certified to UL 2108 and UL 8750
- Airtight rated / Chicago Plenum rated
- IC rated / Wet location listed
- Patent Pending



ORDERING INFORMATION

SERIES NO.	MODEL	TYPE	ORIENTATION	TEMPERATURE	CRI	LENS	PROTOCOL
AM - Minus Series	1 - Minus One	1 - LED	F - Fixed	27 - 2700k 30 - 3000k 40 - 4000k	90 - 90 CRI	S - 20° Spot F - 40° Flood	A - Standard MLV L - Lutron Hi-Lume 0.1%
AM11F-____							

ORDERING EXAMPLE AM11F-3090FA

Project:	Type:
----------	-------

Accessories

Required Accessories

Drywall Universal Bracket
 Apure Power Supply (100W 24VDC)
 Lutron Hi-Lume Premier Ecosystem Driver*

Part Number

AA2-BRK-U
 AA3-100-L
 L3D0-96W24V-U

Cutsheet Available

Yes
 Yes
 Yes, Lutron.com

Release Date

Available
 Available
 Sold by others

Custom Installation Types

- The universal bracket (AA2-BRK-U) is intended only for drywall installations.
- Speak to an authorized Minus reseller for more information about custom ceiling integrations.
- System ceilings, stone, wood, and metal ceiling integrations are accomplished through custom fabrication by others.
- While Apure will make every effort to accommodate custom integrations, there are restrictions and not all materials are suitable for installations.
- Fixture must have a **minimum clearance** of 6 inches (15cm) below or horizontally from the light source at all times!
- Observe and follow all local and NEC codes in all installation types.
- Before any mudding, finishing or painting - test all fixtures are functioning properly!
- Read and adhere to all instructions supplied with each power supply and fixture!

Installation Instructions

Installation instructions are available on our website and can be found on our resources page.
 You can additionally scan the QR code below, which is a direct link to the Minus One installation instructions.



Wiring Diagram

- Minus fixtures are to be wired to the power supply using min. 16AWG cable via parallel wiring.
- Operation of up to 4 fixtures per AA3-100-L (96W) power supply.
- Operation of up to 5 fixtures per Lutron (L3D0-96W24V-U) driver.
- Follow all instructions supplied by power supply / driver manufacturer!
- Before any mudding, finishing or painting - test that all fixtures are functioning properly!

