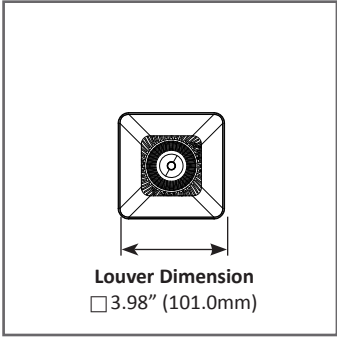
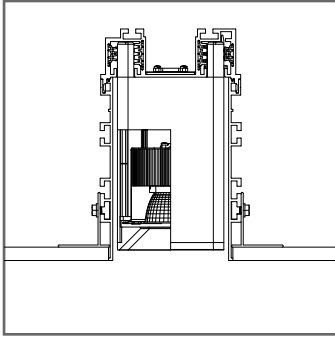
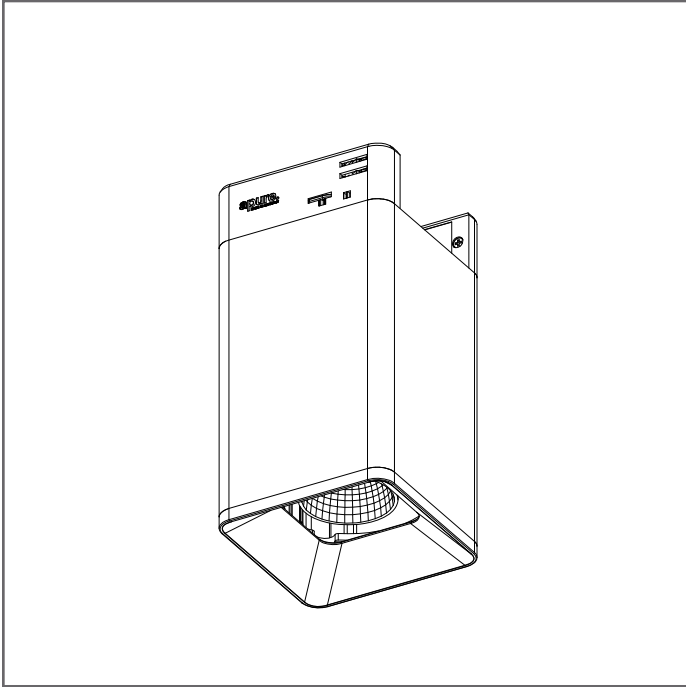


Project: _____ Type: _____



OPUS LUX RADIUS

Recessed Downlight in Profile - Adjustable high power LED, extruded aluminum body and milled aluminum apure© louver. High performance Cree LED lifetime rated for 50,000 hours, combined with precision optics for maximum performance.

Construction

- Extruded aluminum body with anodized finish combined with signature magnetic aluminum apure© louver, available in various colors and combinations.
- Formed steel lamp holder with 360° rotation and 40° adjustment from nadir, via double-axis pivot for maximum center beam optical performance.
- Made in Germany, Design by Porsche Design Studio
- Cree LED module, includes integrated heat sink, and LED holder with adapter compatible with apure LED reflectors.

Electrical

- Compatible with 2-wire ELV (reverse phase) dimmers.
- For optimal performance, operate luminaire in conjunction with dimming switches or modules. Proper wiring and use of dimmers is to be performed by a qualified professional.

ORDERING INFORMATION

SERIES NO.	VOLTAGE	ADJUSTABLE	BODY FINISH	LOUVER FINISH	COLOR TEMP.	DIMMING
AS31 - 13W LED downlight in profile	3 - UNV (120V-277V)	A - adjustable downlight	WH - white powder coat NA - natural anodized BA - black anodized	WH - white powder coat NA - natural anodized BA - black anodized TI - titan anodized GO - gold anodized BR - bronze anodized GM - gun metal anodized RG - rose gold anodized	3080 - 3000K (80 CRI) 3090 - 3000K (93+ CRI)	L1 - Phase Dim (A Light) L2 - Phase Dim (B Light) Z - Z-Wave Control* *Available late 2017

AS313A- __ / __ - __ - __

ORDERING EXAMPLE AS313A-WH/NA-3080-L2

Required Accessories (one reflector per fixture required)

- AA010 - 10° aluminum LED reflector
- AA017 - 17° metalized molded plastic LED reflector
- AA024 - 24° metalized molded plastic LED reflector
- AA025 - 25° aluminum LED reflector
- AA036 - 36° metalized molded plastic LED reflector
- AA045 - 45° aluminum LED reflector
- AS10-BA - Opus Con (Fixture Installation Tool)

Additional Information

- Powder coat louver only available with powder coat body finish.

Installation

- Connects into Opus profile (AS0) and engages with 2 hex screws using a t-handle hex wrench, or Opus Con (AS10) fixture installation tool.

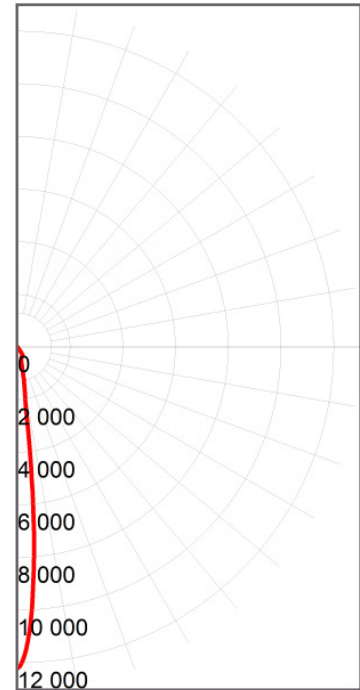
Listings

- ETL Listed, Dry Location
- Airtight Listed. CCSA Chicago Plenum



Delivered Performance	13 watts	
Colored Rendering index	80 CRI	93 CRI
Lumens per Watt	78	59
Source Lumens	1015	761
Delivered Lumens	861	646

Polar Candela Distribution



Illuminance at a Distance

Distance	Center Beam fc	Beam Width
2.0 ft	2840.87 fc	0.5 feet
4.0 ft	710.22 fc	1.1 feet
6.0 ft	315.65 fc	1.3 feet
8.0 ft	177.55 fc	1.7 feet
10.0 ft	113.63 fc	2.1 feet
12.0 ft	78.91 fc	2.2 feet
14.0 ft	57.98 fc	2.5 feet
16.0 ft	44.39 fc	2.8 feet

Zonal Lumen Summary

Zone	Lumens	% Luminaire
0-30	759.6	88.22%
0-40	859.5	99.82%
0-60	860.8	99.98%
60-90	0.2	0.02%
90-120	0.0	0%

CCY Multiplier	3000K	
Color Rendering Index	80 CRI	93 CRI
R9 Value	0	60
Multiplier for Lumen Output	1.00	0.75

Coefficients of Utilization - Zonal Cavity Method

Effective Floor Cavity Reflectance: 20%

RC % RW % RCR	80				70				50			30			10			0
	70	50	30	10	70	50	30	10	50	30	10	50	30	10	50	30	10	0
0	1.19	1.19	1.19	1.19	1.16	1.16	1.16	1.16	1.11	1.11	1.11	1.06	1.06	1.06	1.02	1.02	1.02	1.00
1	1.15	1.13	1.11	1.09	1.13	1.11	1.09	1.08	1.07	1.06	1.04	1.03	1.02	1.01	1.00	0.99	0.98	0.97
2	1.11	1.08	1.05	1.02	1.09	1.06	1.03	1.01	1.03	1.01	0.99	1.00	0.98	0.97	0.97	0.96	0.95	0.93
3	1.08	1.03	1.00	0.97	1.06	1.02	0.99	0.96	0.99	0.97	0.94	0.97	0.95	0.93	0.95	0.93	0.92	0.90
4	1.04	0.99	0.95	0.92	1.03	0.98	0.94	0.92	0.96	0.93	0.91	0.94	0.92	0.90	0.93	0.90	0.89	0.87
5	1.01	0.96	0.91	0.88	1.00	0.95	0.91	0.88	0.93	0.90	0.87	0.92	0.89	0.87	0.90	0.88	0.86	0.85
6	0.98	0.92	0.88	0.85	0.97	0.92	0.88	0.85	0.90	0.87	0.84	0.89	0.86	0.84	0.88	0.85	0.83	0.82
7	0.96	0.89	0.85	0.82	0.95	0.89	0.85	0.82	0.88	0.84	0.82	0.87	0.84	0.81	0.86	0.83	0.81	0.80
8	0.93	0.87	0.83	0.80	0.92	0.86	0.82	0.80	0.85	0.82	0.79	0.85	0.81	0.79	0.84	0.81	0.79	0.78
9	0.91	0.84	0.80	0.78	0.90	0.84	0.80	0.78	0.83	0.80	0.77	0.82	0.79	0.77	0.82	0.79	0.77	0.76
10	0.89	0.82	0.78	0.76	0.88	0.82	0.78	0.76	0.81	0.78	0.75	0.81	0.77	0.75	0.80	0.77	0.75	0.74