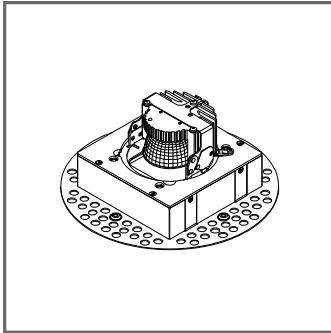
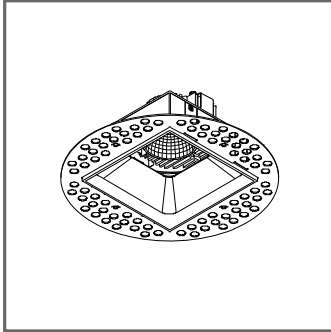
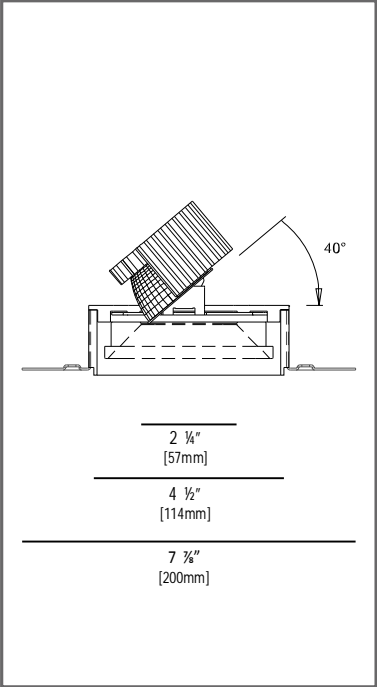


Project: _____ Type: _____



VELO RADIUS LED

Recessed Trimless Downlight - Adjustable, trimless (2mm edge) fixture utilizing a single Cree LED with signature aluminum apure® louver. High performance LED combined with precision optics for maximum performance. LED lifetime rated for 50,000 hours.

Construction

- Formed steel lamp holder with 360° rotation and 40° adjustment from nadir, via double-axis pivot for maximum center beam optical performance.
- Signature magnetic aluminum apure® louver, available in various colors.
- Made in Germany. Design by Porsche Design Studio

Electrical

- Maximum wattage, Voltage, dimming and wiring determined by housing, please refer to required housing specification sheet for further information

Housing

- All recessed fixtures installed in the U.S. require a housing. Refer to the appropriate housing cutsheet to configure voltage, maximum wattage, and other available options.

Required Housing & Accessories

- HSG713-ST-X-XX - Standard housing
- AP7-BRD-XX - Velo Installation Board

Mounting

- Mounts to standard Velo housing HSG713-ST-XX in conjunction with Velo Installation Board AP7-BRD-US.

Related Accessories

- AA010 - 10° aluminum LED reflector
- AA017 - 17° metalized molded plastic LED reflector
- AA024 - 24° metalized molded plastic LED reflector
- AA025 - 25° aluminum LED reflector
- AA036 - 36° metalized molded plastic LED reflector
- AA045 - 45° aluminum LED reflector

Listings

- ETL listed, damp location.
- Airtight and CCSA Chicago Plenum



ORDERING INFORMATION

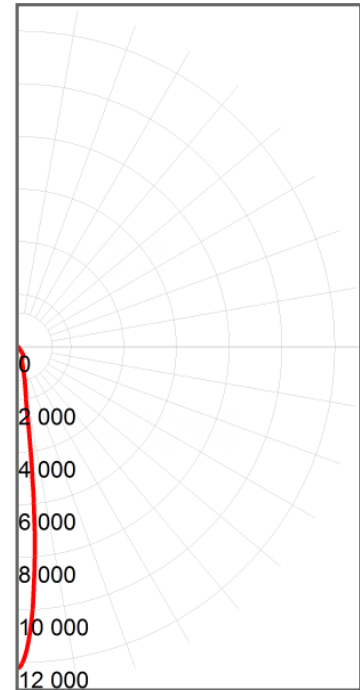
SERIES NO.	ADJUSTABLE	FIXTURE FINISH	LOUVER FINISH	COLOR TEMP.
AP71 - 13W LED downlight trimless	A - adjustable downlight	NA - natural anodized BA - black anodized	WH - white powder coat NA - natural anodized BA - black anodized TI - titan anodized GO - gold anodized BR - bronze anodized GM - gun metal anodized RG - rose gold anodized	3080 - 3000K (80 CRI) 3090 - 3000K (93+ CRI)

AP71A- __ / __ - ____

ORDERING EXAMPLE AP71A-NA/NA-3080

Delivered Performance	13 watts	
Colored Rendering index	80 CRI	93 CRI
Lumens per Watt	78	59
Source Lumens	1015	761
Delivered Lumens	861	646

Polar Candela Distribution



Illuminance at a Distance

Distance	Center Beam fc	Beam Width
2.0 ft	2840.87 fc	0.5 feet
4.0 ft	710.22 fc	1.1 feet
6.0 ft	315.65 fc	1.3 feet
8.0 ft	177.55 fc	1.7 feet
10.0 ft	113.63 fc	2.1 feet
12.0 ft	78.91 fc	2.2 feet
14.0 ft	57.98 fc	2.5 feet
16.0 ft	44.39 fc	2.8 feet

Zonal Lumen Summary

Zone	Lumens	% Luminaire
0-30	759.6	88.22%
0-40	859.5	99.82%
0-60	860.8	99.98%
60-90	0.2	0.02%
90-120	0.0	0%

CCY Multiplier	3000K	
Color Rendering Index	80 CRI	93 CRI
R9 Value	0	60
Multiplier for Lumen Output	1.00	0.75

Coefficients of Utilization - Zonal Cavity Method

Effective Floor Cavity Reflectance: 20%

RC % RW % RCR	80				70				50			30			10			0
	70	50	30	10	70	50	30	10	50	30	10	50	30	10	50	30	10	0
0	1.19	1.19	1.19	1.19	1.16	1.16	1.16	1.16	1.11	1.11	1.11	1.06	1.06	1.06	1.02	1.02	1.02	1.00
1	1.15	1.13	1.11	1.09	1.13	1.11	1.09	1.08	1.07	1.06	1.04	1.03	1.02	1.01	1.00	0.99	0.98	0.97
2	1.11	1.08	1.05	1.02	1.09	1.06	1.03	1.01	1.03	1.01	0.99	1.00	0.98	0.97	0.97	0.96	0.95	0.93
3	1.08	1.03	1.00	0.97	1.06	1.02	0.99	0.96	0.99	0.97	0.94	0.97	0.95	0.93	0.95	0.93	0.92	0.90
4	1.04	0.99	0.95	0.92	1.03	0.98	0.94	0.92	0.96	0.93	0.91	0.94	0.92	0.90	0.93	0.90	0.89	0.87
5	1.01	0.96	0.91	0.88	1.00	0.95	0.91	0.88	0.93	0.90	0.87	0.92	0.89	0.87	0.90	0.88	0.86	0.85
6	0.98	0.92	0.88	0.85	0.97	0.92	0.88	0.85	0.90	0.87	0.84	0.89	0.86	0.84	0.88	0.85	0.83	0.82
7	0.96	0.89	0.85	0.82	0.95	0.89	0.85	0.82	0.88	0.84	0.82	0.87	0.84	0.81	0.86	0.83	0.81	0.80
8	0.93	0.87	0.83	0.80	0.92	0.86	0.82	0.80	0.85	0.82	0.79	0.85	0.81	0.79	0.84	0.81	0.79	0.78
9	0.91	0.84	0.80	0.78	0.90	0.84	0.80	0.78	0.83	0.80	0.77	0.82	0.79	0.77	0.82	0.79	0.77	0.76
10	0.89	0.82	0.78	0.76	0.88	0.82	0.78	0.76	0.81	0.78	0.75	0.81	0.77	0.75	0.80	0.77	0.75	0.74