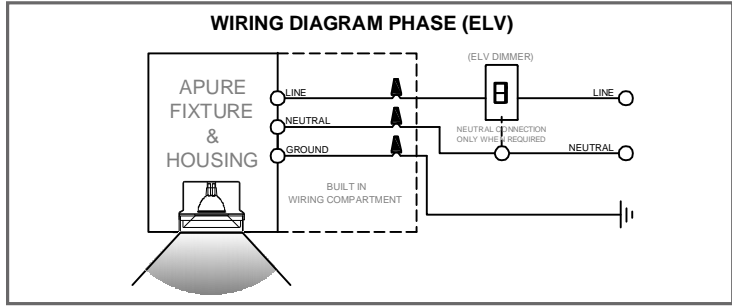
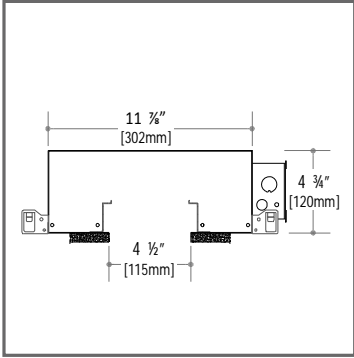
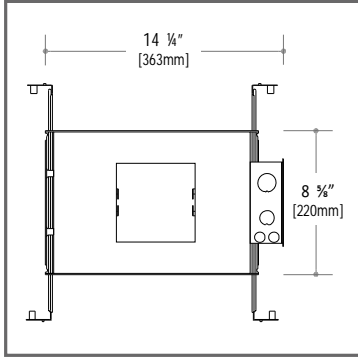
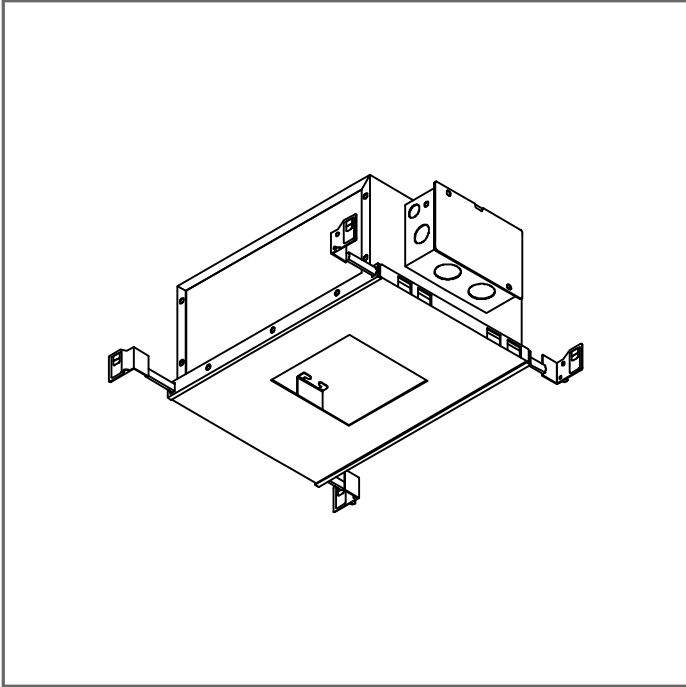


Project: _____ Type: _____



CLARUS shallow housing, LED

Recessed Housing - For use with Clarus and Clarus Radius fixtures. This cutsheet applies to the following lamp types: LED

Construction

- New construction steel housing with corrosion-resistant galvanized finish.
- Housing available with and without Insulation Contact (IC) rating for installation in a fully insulated ceiling.
- Wiring compartment rated for (6x) #12 thru branch circuits in Non-IC housing only.
- Integrated LED driver.

Mounting

- Housing and trim assembly accommodate 1/2" to 1-1/2" ceiling thicknesses.
- Adjustable hanger bars included, with captive nail, adjust from 14 3/16" to 26" wide.

Electrical

- 120V-277V Universal Voltage
- Compatible with 2-wire ELV (reverse phase) dimmers.
- For optimal performance, operate luminaire in conjunction with dimming switches or modules. Proper wiring and use of dimmers is to be performed by a qualified professional.

Listings

- ETL listed, damp location.
- ETL listed, wet location option.
- Airtight and CCSA Chicago Plenum



ORDERING INFORMATION

SERIES NO.	VOLTAGE	HOUSING SIZE	OPTIONS
HSG91 - 13W LED downlight with trim	3 - UNV (120V-277V)	SH - shallow housing	[blank] - non-insulation contact IC - insulation contact

HSG913-SH-__

ORDERING EXAMPLE HSG913-SH-IC