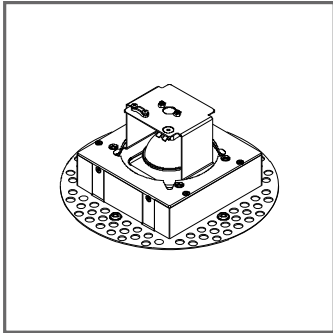
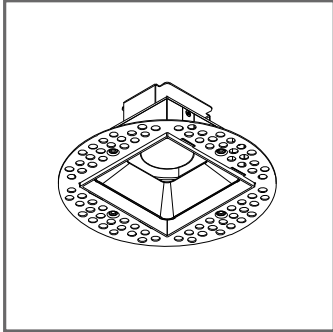
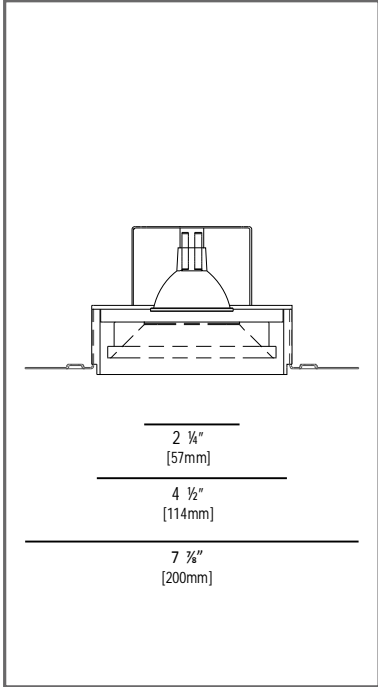


Project: \_\_\_\_\_ Type: \_\_\_\_\_



# VELO halogen

**Recessed Trimless Downlight** - Fixed, trimless (2mm edge) fixture utilizing a single MR16 Low Voltage Halogen bulb with signature aluminum apure© louver.

**Construction**

- Milled aluminum and anodized fixture body, combined with signature magnetic aluminum apure© louver, available in various colors and combinations.
- Made in Germany, Design by Porsche Design Studio
- Signature magnetic aluminum apure© louver, available in various colors.
- Made in Germany, Design by Porsche Design Studio
- Torsion springs pull lamp module tight to ceiling.
- Lamp holder fitting GU5.3.

**Electrical**

- Maximum wattage Electrical Consumption, Voltage, dimming and wiring determined by housing, please refer to required housing specification sheet for further information

**Housing**

- All recessed fixtures installed in the U.S. require a housing. Refer to the appropriate housing cutsheet to configure voltage, maximum wattage, and other available options.

**Required Housing & Accessories**

- HSG74X-ST-XX - Standard housing
- AP7-BRD-XX - Velo Installation Board

**Mounting**

- Mounts to standard Halogen Velo housing HSG74X-ST-X-XX in conjunction with Velo Installation Board AP7-BRD-US.

**Listings**

- ETL listed, damp location.
- Airtight and CCSA Chicago Plenum



## ORDERING INFORMATION

SERIES NO.	FIXED	FIXTURE FINISH	LOUVER FINISH
AP74 - MR16 downlight trimless	F - fixed downlight	NA - natural anodized BA - black anodized	WH - white powder coat NA - natural anodized BA - black anodized TI - titan anodized GO - gold anodized BR - bronze anodized GM - gun metal anodized RG - rose gold anodized
AP74F- __ / __			

**ORDERING EXAMPLE** AP74F-NA/NA