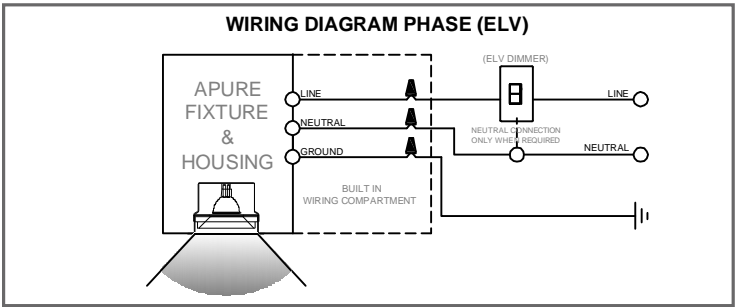
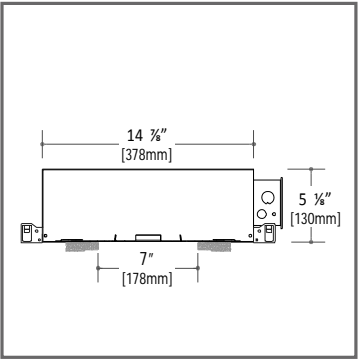
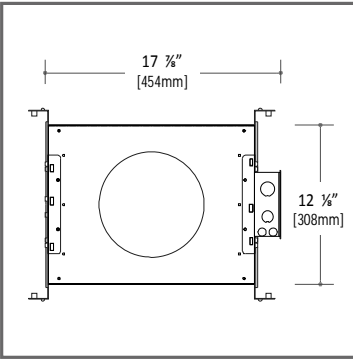
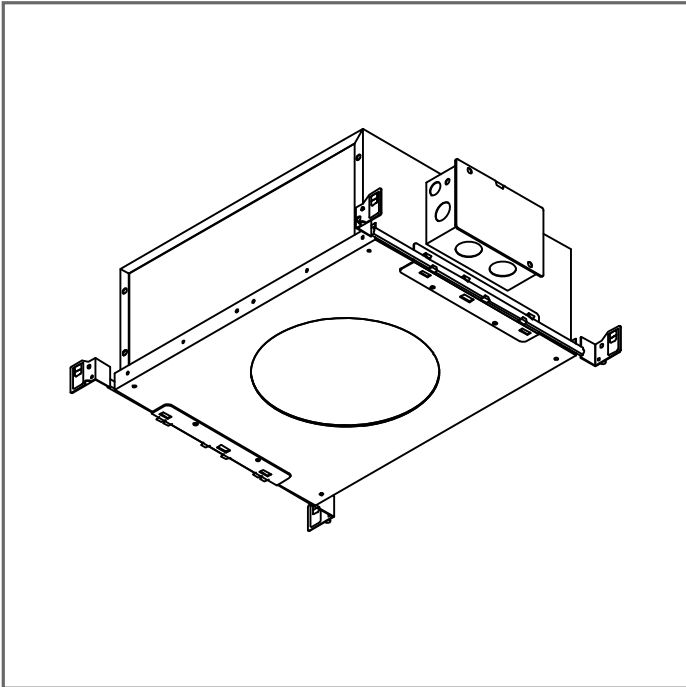


Project: _____ Type: _____



VELO standard housing, halogen

Recessed Housing - For use with Velo and Velo Radius fixtures. This cutsheet applies to the following lamp types: MR16 Halogen.

Construction

- New construction steel housing with corrosion-resistant galvanized finish.
- Housing available with and without Insulation Contact (IC) rating for installation in a fully insulated ceiling. Insulation contact rating reduces maximum wattage.
- Wiring compartment rated for (6x) #12 thru branch circuits in Non-IC housing only.

Mounting

- Housing and trim assembly accommodate 1/2" to 1-1/2" ceiling thicknesses.
- Adjustable hanger bars included, with captive nail, adjust from 14 3/16" to 26" wide.

Electrical

- 120V or 277V versions
- Compatible with bulbs up to 30 watts (IC) and 50 watts (Non-IC), given maximum lamp manufacturer operating temperature ratings are not exceeded.
- Compatible with 2-wire ELV (reverse phase) dimmers.
- For optimal performance, operate luminaire in conjunction with dimming switches or modules. Proper wiring and use of dimmers is to be performed by a qualified professional.

Listings

- ETL listed, damp location.
- Airtight and CCSA Chicago Plenum



ORDERING INFORMATION

| SERIES NO. | VOLTAGE | HOUSING SIZE | OPTIONS |
|---------------------------------------|-----------------------|-----------------------|---|
| HSG74 - MR16 downlight trimless | 1 - 120V 2 - 277V* | ST - standard housing | [blank] - non-insulation contact IC - insulation contact |

HSG74_-ST

ORDERING EXAMPLE HSG741-ST