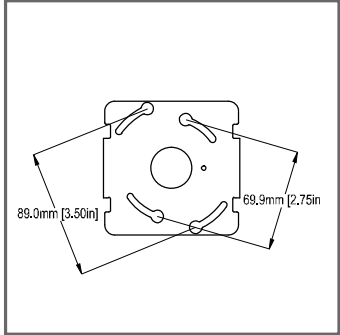
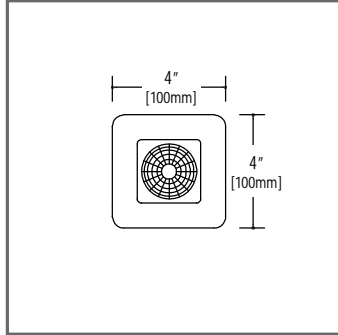
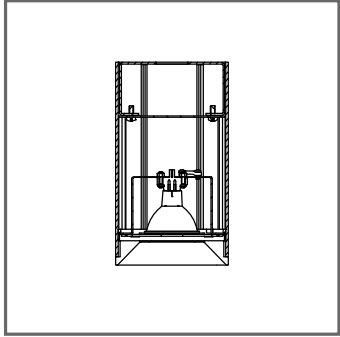
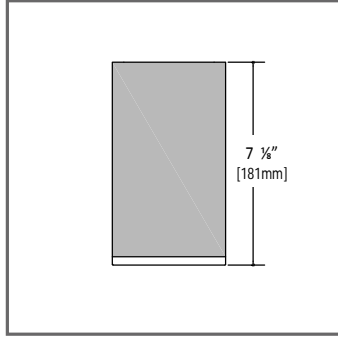


Project: \_\_\_\_\_ Type: \_\_\_\_\_



# TANTUS halogen

**Surface Mounted Downlight** - Fixed MR16 Low Voltage Halogen, extruded aluminum body and signature aluminum apure© louver.

**Construction**

- Extruded aluminum body combined with signature magnetic aluminum apure© louver, available in various colors and combinations.
- Formed steel lamp holder.
- Made in Germany, Design by Porsche Design Studio

**Electrical**

- 120V-277V, 37W Electrical Consumption
- Compatible with 2-wire ELV (reverse phase) dimmers.
- For optimal performance, operate luminaire in conjunction with dimming switches or modules. Proper wiring and use of dimmers

**Mounting**

- Mounts to standard 4" or 3.5" octagonal ceiling junction box.

**Lamp Module**

- Installed and removed through the aperture with ease via quick connectors.
- Rated for use with halogen lamps up to 37W, not included.
- Lamp holder fitting GU5.3.

**Additional Information**

- Powder coat louver only available with powder coat body finish.

**Listings**

- ETL listed, damp location.



**ORDERING INFORMATION**

SERIES NO.	VOLTAGE	FIXED	BODY FINISH	LOUVER FINISH	WATTAGE
AP64 - surface mounted MR16 downlight	1 - 120V 2 - 277V*	F - fixed downlight	WH - white powder coat NA - natural anodized BA - black anodized	WH - white powder coat NA - natural anodized BA - black anodized TI - titan anodized GO - gold anodized BR - bronze anodized GM - gun metal anodized RG - rose gold anodized	[blank] - standard ELV for MR16 halogen. 37 watt

AP64\_F- \_\_ / \_\_

**ORDERING EXAMPLE** AP641F-WH/NA

# TANTUS halogen

