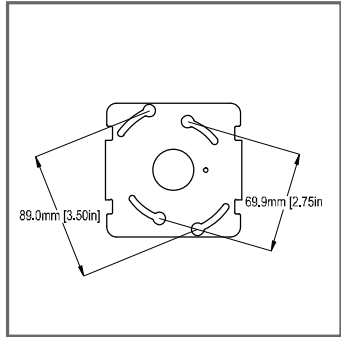
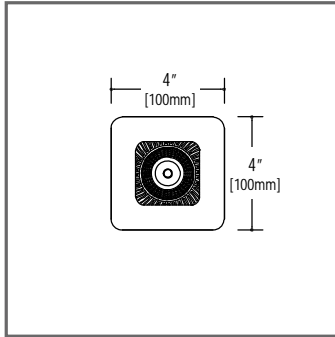
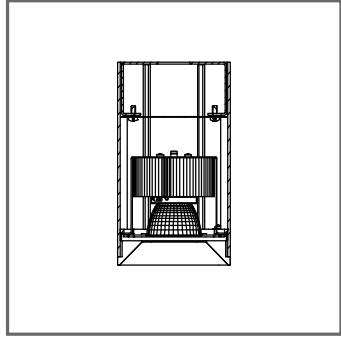
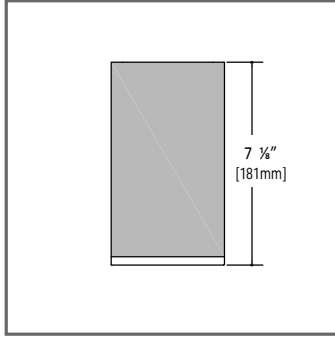


Project: \_\_\_\_\_ Type: \_\_\_\_\_



# TANTUS LED

**Surface Mounted Downlight** - Fixed high power LED, extruded aluminum body and signature aluminum apure© louver. High performance Cree LEDs combined with precision optics for maximum performance. LED lifetime rated for 50,000 hours.

**Construction**

- Extruded aluminum body with anodized finish combined with signature magnetic aluminum apure© louver, available in various colors and combinations.
- Formed steel lamp holder.
- Made in Germany, Design by Porsche Design Studio

**Electrical**

- 120V-277V, 13W Electrical Consumption
- Compatible with 2-wire ELV (reverse phase) dimmers.
- For optimal performance, operate luminaire in conjunction with dimming switches or modules. Proper wiring and use of dimmers is to be performed by a qualified professional.

**Required Accessories** (one reflector per fixture required)

- AA010 - 10° aluminum LED reflector
- AA017 - 17° metalized molded plastic LED reflector
- AA024 - 24° metalized molded plastic LED reflector
- AA025 - 25° aluminum LED reflector
- AA036 - 36° metalized molded plastic LED reflector
- AA045 - 45° aluminum LED reflector

**Mounting**

- Mounts to standard 4" or 3.5" octagonal ceiling junction box.

**Lamp Module**

- Cree LED module, includes integrated heat sink, and LED holder with adapter compatible with apure LED reflectors.

**Additional Information**

- Powder coat louver only available with powder coat body finish.

**Listings**

- ETL listed, damp location.

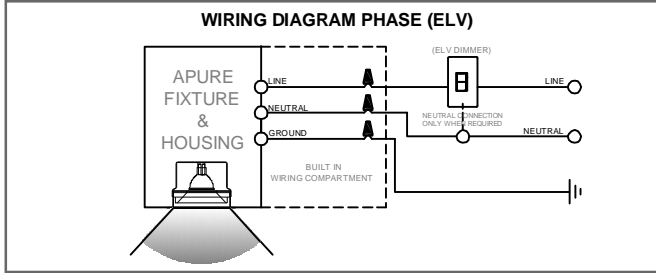


**ORDERING INFORMATION**

SERIES NO.	VOLTAGE	FIXED	BODY FINISH	LOUVER FINISH	COLOR TEMP.
AP61 - surface mounted 13W LED downlight	3 - UNV (120V-277V)	F - fixed downlight	WH - white powder coat NA - natural anodized BA - black anodized	WH - white powder coat NA - natural anodized BA - black anodized TI - titan anodized GO - gold anodized BR - bronze anodized GM - gun metal anodized RG - rose gold anodized	3080 - 3000K (80 CRI) 3090 - 3000K (93+ CRI)

AP613F- \_\_ / \_\_ - \_\_\_\_

**ORDERING EXAMPLE** AP613F-WH/NA-3080



<b>Delivered Performance</b>	<b>13 watts</b>	
Colored Rendering index	80 CRI	90 CRI
Lumens per Watt	78	59
Source Lumens	1015	761
<b>Delivered Lumens</b>	<b>861</b>	<b>646</b>

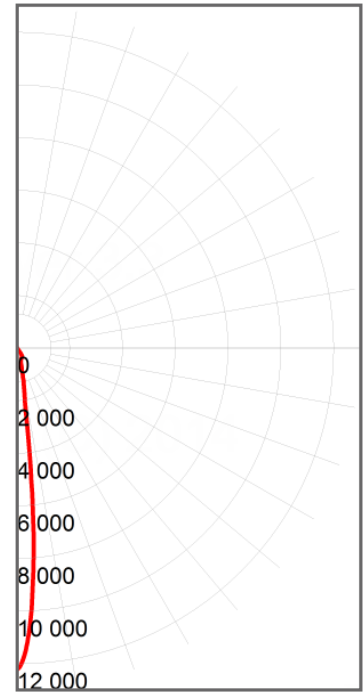
**Illuminance at a Distance**

Distance	Center Beam fc	Beam Width
2.0 ft	2840.87 fc	0.5 feet
4.0 ft	710.22 fc	1.1 feet
6.0 ft	315.65 fc	1.3 feet
8.0 ft	177.55 fc	1.7 feet
10.0 ft	113.63 fc	2.1 feet
12.0 ft	78.91 fc	2.2 feet
14.0 ft	57.98 fc	2.5 feet
16.0 ft	44.39 fc	2.8 feet

**Zonal Lumen Summary**

Zone	Lumens	% Luminaire
0-30	759.6	88.22%
0-40	859.5	99.82%
0-60	860.8	99.98%
60-90	0.2	0.02%
90-120	0.0	0%

**Polar Candela Distribution**



<b>CCY Multiplier</b>	<b>3000K</b>	
Color Rendering Index	80 CRI	93 CRI
R9 Value	0	60
Multiplier for Lumen Output	1.00	0.75

**Coefficients of Utilization - Zonal Cavity Method**

Effective Floor Cavity Reflectance: 20%

RC % RW % RCR	80				70				50			30			10			0
	70	50	30	10	70	50	30	10	50	30	10	50	30	10	50	30	10	0
0	1.19	1.19	1.19	1.19	1.16	1.16	1.16	1.16	1.11	1.11	1.11	1.06	1.06	1.06	1.02	1.02	1.02	1.00
1	1.15	1.13	1.11	1.09	1.13	1.11	1.09	1.08	1.07	1.06	1.04	1.03	1.02	1.01	1.00	0.99	0.98	0.97
2	1.11	1.08	1.05	1.02	1.09	1.06	1.03	1.01	1.03	1.01	0.99	1.00	0.98	0.97	0.97	0.96	0.95	0.93
3	1.08	1.03	1.00	0.97	1.06	1.02	0.99	0.96	0.99	0.97	0.94	0.97	0.95	0.93	0.95	0.93	0.92	0.90
4	1.04	0.99	0.95	0.92	1.03	0.98	0.94	0.92	0.96	0.93	0.91	0.94	0.92	0.90	0.93	0.90	0.89	0.87
5	1.01	0.96	0.91	0.88	1.00	0.95	0.91	0.88	0.93	0.90	0.87	0.92	0.89	0.87	0.90	0.88	0.86	0.85
6	0.98	0.92	0.88	0.85	0.97	0.92	0.88	0.85	0.90	0.87	0.84	0.89	0.86	0.84	0.88	0.85	0.83	0.82
7	0.96	0.89	0.85	0.82	0.95	0.89	0.85	0.82	0.88	0.84	0.82	0.87	0.84	0.81	0.86	0.83	0.81	0.80
8	0.93	0.87	0.83	0.80	0.92	0.86	0.82	0.80	0.85	0.82	0.79	0.85	0.81	0.79	0.84	0.81	0.79	0.78
9	0.91	0.84	0.80	0.78	0.90	0.84	0.80	0.78	0.83	0.80	0.77	0.82	0.79	0.77	0.82	0.79	0.77	0.76
10	0.89	0.82	0.78	0.76	0.88	0.82	0.78	0.76	0.81	0.78	0.75	0.81	0.77	0.75	0.80	0.77	0.75	0.74