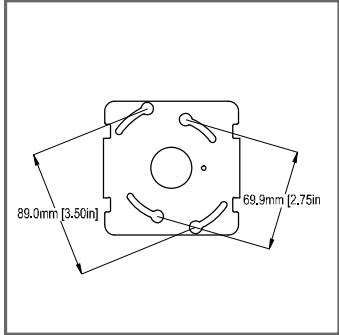
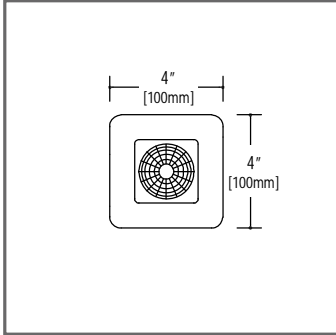
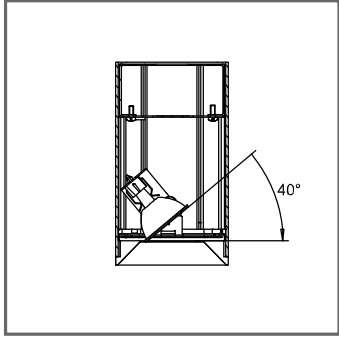
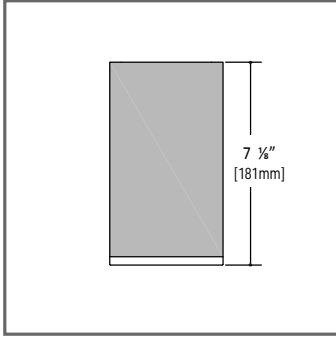


Project: _____ Type: _____



TANTUS RADIUS halogen

Surface Mounted Downlight - Fixed MR16 Low Voltage Halogen, extruded aluminum body and signature aluminum apure© louver.
Construction

- Extruded aluminum body with anodized finish combined with signature magnetic aluminum apure© louver, available in various colors and combinations.
- Formed steel lamp holder with 360° rotation and 40° adjustment from nadir, via double-axis pivot for maximum center beam optical performance.
- Made in Germany, Design by Porsche Design Studio

Electrical

- 120V-277V, 37W Electrical Consumption
- Compatible with 2-wire ELV (reverse phase) dimmers.
- For optimal performance, operate luminaire in conjunction with dimming switches or modules. Proper wiring and use of dimmers is to be performed by a qualified professional.

Mounting

- Mounts to standard 4" or 3.5" octagonal ceiling junction box.

Lamp Module

- Installed and removed through the aperture with ease via quick connectors.
- Rated for use with halogen lamps up to 37W, not included.
- Lamp holder fitting GU5.3.

Additional Information

- Powder coat louver only available with powder coat body finish.

Listings

- ETL listed, damp location



ORDERING INFORMATION

SERIES NO.	VOLTAGE	ADJUSTABLE	BODY FINISH	LOUVER FINISH	WATTAGE
AP64 - surface mounted MR16 downlight	1 - 120V 2 - 277V*	A - adjustable downlight	WH - white powder coat NA - natural anodized BA - black anodized	WH - white powder coat NA - natural anodized BA - black anodized TI - titan anodized GO - gold anodized BR - bronze anodized GM - gun metal anodized RG - rose gold anodized	[blank] - standard ELV for MR16 halogen. 37 watt

AP64_A- __ / __ - __

ORDERING EXAMPLE AP641A-WH/NA

TANTUS RADIUS halogen

