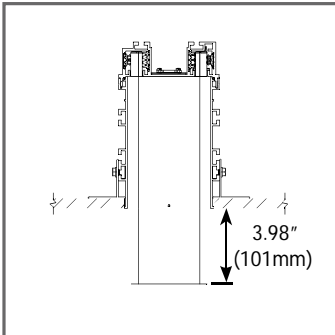
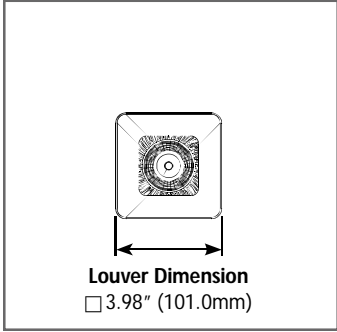
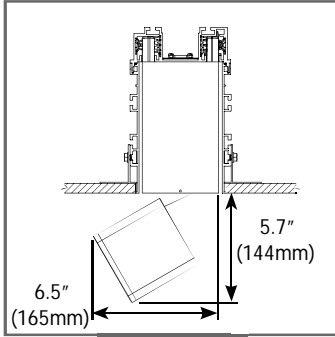
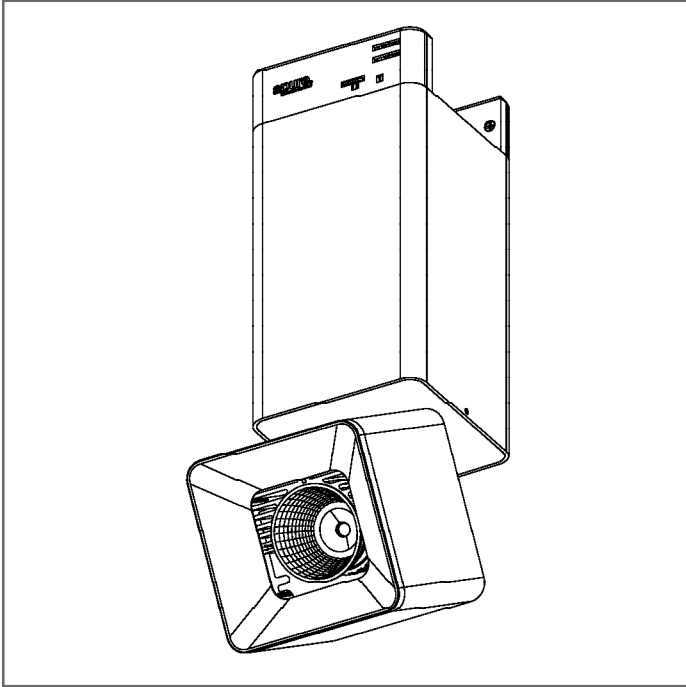


Project: \_\_\_\_\_ Type: \_\_\_\_\_



# OPUS LAC

**Semi-Recessed Pull-Down in Profile** - Dual axis adjustable high power LED, extruded aluminum body and magnetic aluminum apure® louver. High performance Cree LEDs combined with precision optics for maximum performance. Adjustable lamp head allows for additional directional adjustment up to 60° from nadir and 360° rotation.

**Construction**

- Extruded aluminum body with anodized finish combined with signature magnetic aluminum apure® louver, available in various colors and combinations.
- Made in Germany, Design by Porsche Design Studio
- Cree LED module, 3000K color temperature and modular LED holder with adapter compatible with apure LED reflectors.

**Electrical**

- Compatible with 2-wire ELV (reverse phase) dimmers.
- For optimal performance, operate luminaire in conjunction with dimming switches or modules. Proper wiring and use of dimmers is to be performed by a qualified professional.

**Required Accessories** (one reflector per fixture required)

- AA010 - 10° aluminum LED reflector
- AA017 - 17° metalized molded plastic LED reflector
- AA024 - 24° metalized molded plastic LED reflector
- AA025 - 25° aluminum LED reflector
- AA036 - 36° metalized molded plastic LED reflector
- AA045 - 45° aluminum LED reflector

**Additional Information**

- Powder coat louver only available with powder coat body finish.

**Installation**

- Connects into Opus profile (AS0) and engages with 2 hex screws using a t-handle hex wrench, or Opus Con (AS10) fixture installation tool.

**Listings**

- ETL Listed, Dry Location
- Airtight Listed. CCSA Chicago Plenum



**ORDERING INFORMATION**

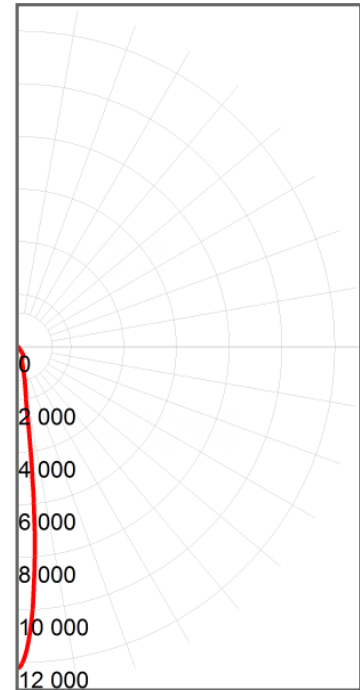
SERIES NO.	VOLTAGE	FIXED	BODY FINISH	LOUVER FINISH	COLOR TEMP.	DIMMING
AS41 - 13W LED Opus Track Down-light	3 - UNV (120V-277V)	F - fixed downlight	WH - white powder coat NA - natural anodized BA - black anodized	WH - white powder coat NA - natural anodized BA - black anodized TI - titan anodized GO - gold anodized BR - bronze anodized GM - gun metal anodized RG - rose gold anodized	3080 - 3000K (80 CRI) 3090 - 3000K (93+ CRI)	L1 - Phase Dim (A Light) L2 - Phase Dim (B Light) L3 - Phase Dim (C Light) Z - Z-Wave Control*  *Available late 2016

AS413F- \_\_ / \_\_ - \_\_\_\_ - \_\_

**ORDERING EXAMPLE AS413F-WH/NA-3080-L1**

<b>Delivered Performance</b>	<b>13 watts</b>	
Colored Rendering index	80 CRI	93 CRI
Lumens per Watt	78	59
Source Lumens	1015	761
<b>Delivered Lumens</b>	<b>861</b>	<b>646</b>

**Polar Candela Distribution**



**Illuminance at a Distance**

Distance	Center Beam fc	Beam Width
2.0 ft	2840.87 fc	0.5 feet
4.0 ft	710.22 fc	1.1 feet
6.0 ft	315.65 fc	1.3 feet
8.0 ft	177.55 fc	1.7 feet
10.0 ft	113.63 fc	2.1 feet
12.0 ft	78.91 fc	2.2 feet
14.0 ft	57.98 fc	2.5 feet
16.0 ft	44.39 fc	2.8 feet

**Zonal Lumen Summary**

Zone	Lumens	% Luminaire
0-30	759.6	88.22%
0-40	859.5	99.82%
0-60	860.8	99.98%
60-90	0.2	0.02%
90-120	0.0	0%

<b>CCY Multiplier</b>	<b>3000K</b>	
Color Rendering Index	80 CRI	93 CRI
R9 Value	0	60
Multiplier for Lumen Output	1.00	0.75

**Coefficients of Utilization - Zonal Cavity Method**

Effective Floor Cavity Reflectance: 20%

RC % RW % RCR	80				70				50			30			10			0
	70	50	30	10	70	50	30	10	50	30	10	50	30	10	50	30	10	0
0	1.19	1.19	1.19	1.19	1.16	1.16	1.16	1.16	1.11	1.11	1.11	1.06	1.06	1.06	1.02	1.02	1.02	1.00
1	1.15	1.13	1.11	1.09	1.13	1.11	1.09	1.08	1.07	1.06	1.04	1.03	1.02	1.01	1.00	0.99	0.98	0.97
2	1.11	1.08	1.05	1.02	1.09	1.06	1.03	1.01	1.03	1.01	0.99	1.00	0.98	0.97	0.97	0.96	0.95	0.93
3	1.08	1.03	1.00	0.97	1.06	1.02	0.99	0.96	0.99	0.97	0.94	0.97	0.95	0.93	0.95	0.93	0.92	0.90
4	1.04	0.99	0.95	0.92	1.03	0.98	0.94	0.92	0.96	0.93	0.91	0.94	0.92	0.90	0.93	0.90	0.89	0.87
5	1.01	0.96	0.91	0.88	1.00	0.95	0.91	0.88	0.93	0.90	0.87	0.92	0.89	0.87	0.90	0.88	0.86	0.85
6	0.98	0.92	0.88	0.85	0.97	0.92	0.88	0.85	0.90	0.87	0.84	0.89	0.86	0.84	0.88	0.85	0.83	0.82
7	0.96	0.89	0.85	0.82	0.95	0.89	0.85	0.82	0.88	0.84	0.82	0.87	0.84	0.81	0.86	0.83	0.81	0.80
8	0.93	0.87	0.83	0.80	0.92	0.86	0.82	0.80	0.85	0.82	0.79	0.85	0.81	0.79	0.84	0.81	0.79	0.78
9	0.91	0.84	0.80	0.78	0.90	0.84	0.80	0.78	0.83	0.80	0.77	0.82	0.79	0.77	0.82	0.79	0.77	0.76
10	0.89	0.82	0.78	0.76	0.88	0.82	0.78	0.76	0.81	0.78	0.75	0.81	0.77	0.75	0.80	0.77	0.75	0.74