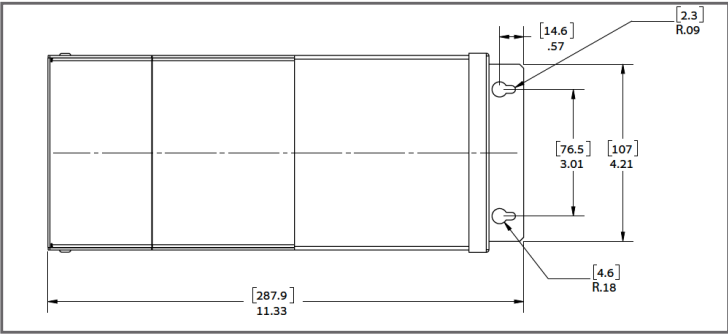
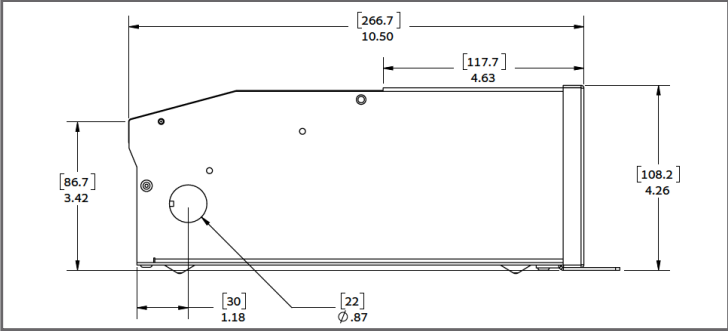
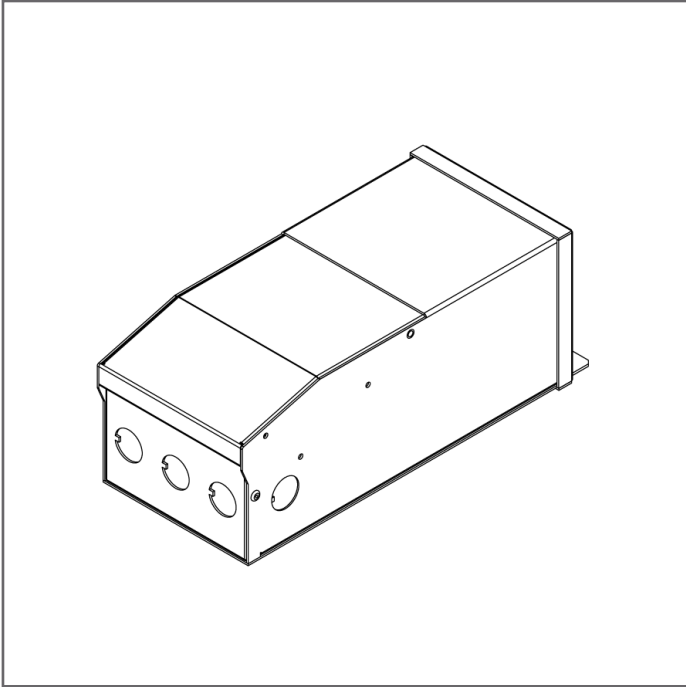


Project: _____ Type: _____



MINUS COMPACT SUPPLY TRIPLE

Minus Compact Power Supply - The Minus Compact Supply provides dimmable low voltage power in order to power up to 15 Minus fixtures by Apure. Electrical Low Voltage power supply installations are simplified by combining three Class 2 power supplies into one compact unit with one 120V input.

Construction

- Black steel finish
- Wiring compartment with 5 knock-outs
- Built in ground bus for easy ground installation
- Terminal blocks for easy connections

Electrical

- 120 VAC input
- 24 VDC Output
- Output power: 96W x3
- MLV Dimmable to approximately 10% with any standard MLV TRIAC dimmer
- Input current at Max Load: 3.4A
- Output current at Max Load: 4A per port
- Efficiency @ Max Load: 80%
- Power factor: 0.9

- Circuit breaker: primary and secondary push-to-reset
- Input/Output Wires: Terminal Block
- Weight: 6.8kg / 15lbs

Installation

- Mounted using screws to existing structure, not included
- 5" (12.7cm) minimum installation space between drivers
- -30C° to 40C° operating ambient temperature
- For installation with Minus Series fixtures use only 16AWG wire
- Wire in parallel only!

Product Dimensions

- Length: 11.33" (287.9mm)
- Width: 4.73" (120.2mm)
- Height: 4.26" (108.2mm)

Listings / Certifications

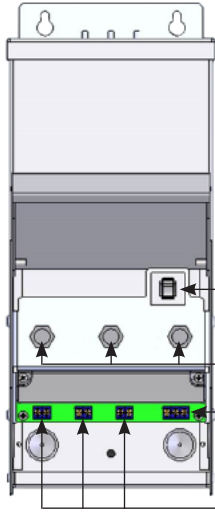
- ETL listed, Class 2 Output
- Certified to CSA Standard
- Environmental Protection Rating: Nema 3R

ORDERING INFORMATION

SERIES NO.	VERSION
AA3 - Minus Compact Supply	103 - 3x 96W

AA3 - 103

ORDERING EXAMPLE	AA3 - 103
-------------------------	------------------



- For Minus installations use only 16AWG wire
- Plenum rated ceilings will require CMP rated wire
- Wire only in parallel

Primary circuit breaker

Secondary circuit breaker

One 120V input terminal block

Three 24VDC output terminal blocks