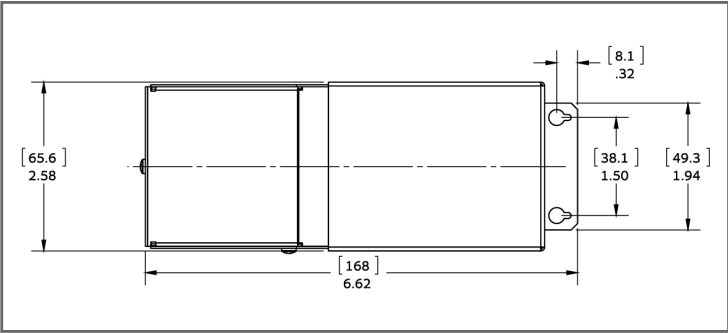
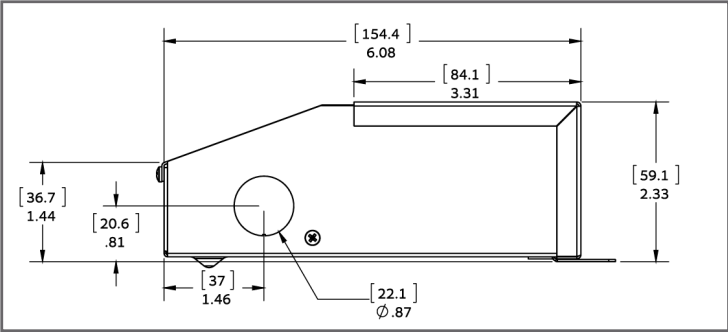
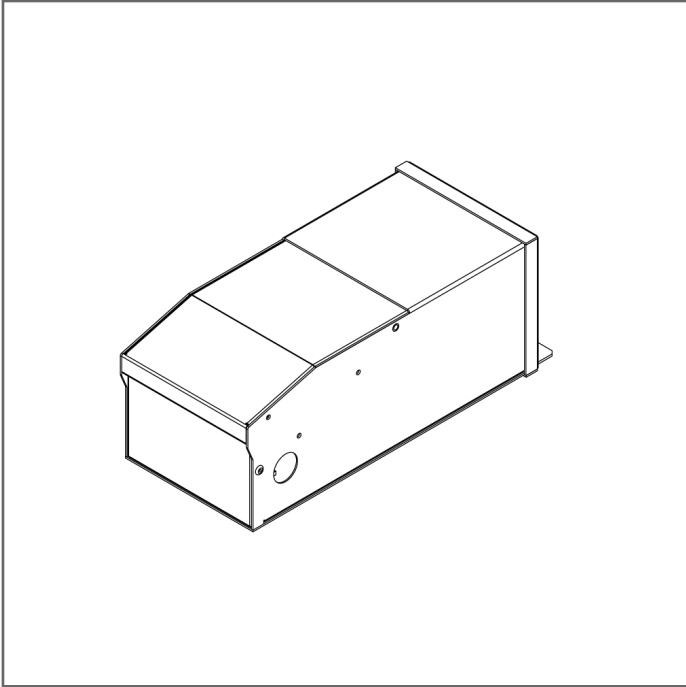


Project: _____ Type: _____



MINUS COMPACT SUPPLY SINGLE

Minus Compact Power Supply - The Minus Compact Supply provides dimmable low voltage power in order to power up to 5 Minus fixtures by Apure. Electrical Low Voltage power supply installations are simplified by combining one Class 2 power supplies into one compact unit with one 120V input.

Construction

- Black steel finish
- Wiring compartment with 2 knock-outs
- Built in ground bus for easy ground installation
- Terminal blocks for easy connections

Electrical

- 120 VAC input
- 24 VDC Output
- Output power: 96W x1
- MLV Dimmable to approximately 10% with any standard MLV TRIAC dimmer
- Input current at Max Load: .96A
- Output current at Max Load: 4A per port
- Efficiency: >85%
- Power factor: >0.89

- Circuit breaker: primary and secondary push-to-reset
- Leads Primary: PVC 600V #20
- Leads Secondary: PVC 300V #14
- Weight: 1.7kg / 50oz

Installation

- Mounted using screws to existing structure, not included
- 5" (12.7cm) minimum installation space between drivers
- -30C° to 45C° operating ambient temperature
- For installation with Minus Series fixtures use only 16AWG wire
- Wire in parallel only!

Product Dimensions

- Length: 6.62" (168mm)
- Width: 2.58" (65.6mm)
- Height: 2.33" (59.1mm)

Listings / Certifications

- UL8750, Class 2 Output
- Environmental Protection Rating: Nema 3R

ORDERING INFORMATION

SERIES NO.	VERSION
AA3 - Minus Compact Supply Single	101 - 1x 96W

AA3 - 101

ORDERING EXAMPLE	AA3 - 101
-------------------------	------------------