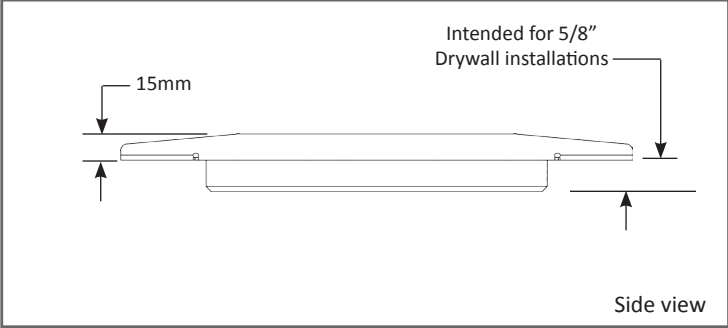
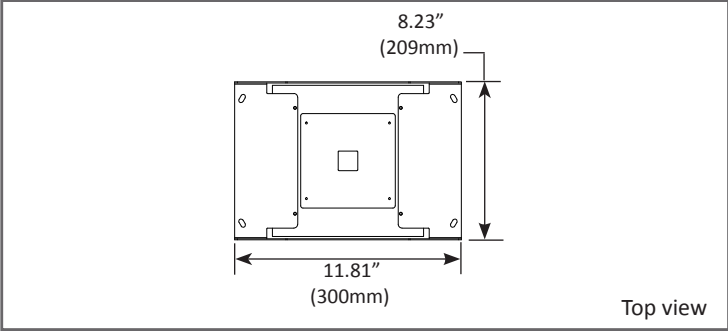
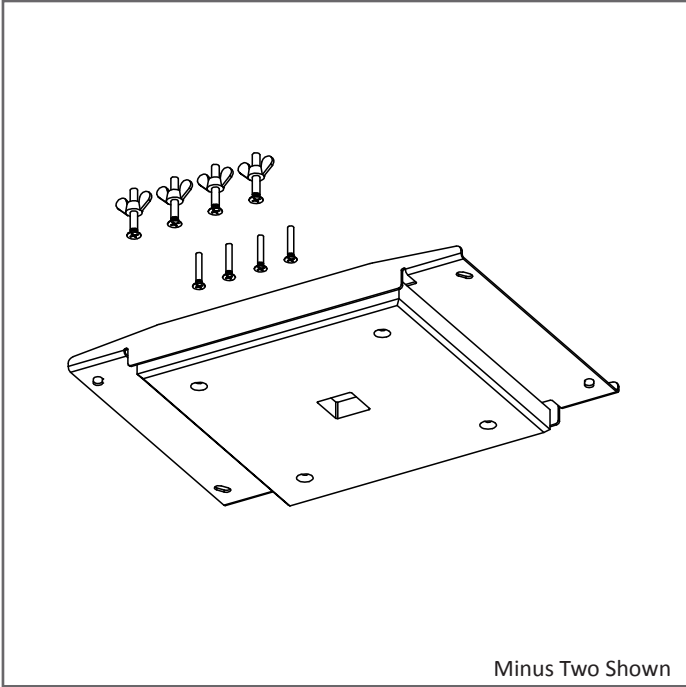


Project:	Type:
----------	-------



UNIVERSAL DRYWALL BRACKET

Universal Drywall Bracket - The Universal Drywall Bracket allows for easy installation of Minus One and Minus Two fixtures within existing and new drywall ceilings. The bracket kit includes a pre-cut fermacell board for the specified Minus fixture to be installed onto. The fermacell board is then fastened to the bracket until it is flush with the existing ceiling. The ceiling is then finished and painted as desired.

Construction

- Formed steel frame
- Includes screws for mounting to existing drywall
- Wet location by design
- M5 Hardware

Universal Drywall Construction

- The Universal New Construction board is constructed of gypsum fermacell and is pre cut to fit the required cutout in your 5/8" drywall with allowance for taping, plastering and finishing.
- The Universal Retrofit Construction board is constructed of gypsum fermacell and is pre cut to fit the required cutout in your 5/8" with allowance for minimal finishing.

Trimless Recessed Installation

- The Minus Universal Drywall Bracket and hardware allows for trimless installation of the Apure Minus One or Minus Two into existing drywall ceilings or during new construction.
- Designed to provide precision alignment through the use of slotted holes.

Optional Accessory

- For new construction only, optional precut fermacell boards may be purchased as an accessory. These fermacell boards mount to the studs in the same manner as drywall and come precut to fit the universal drywall bracket. For more information, please see the Universal Drywall Bracket Board (**AMX-BRD-U**) cutsheet.

Listings

- ETL listed, Certified to UL 2108 and UL 8750
- Wet location
- Airtight rated
- Chicago Plenum rated
- IC Rated
- Patent Pending



ORDERING INFORMATION

SERIES NO.	FIXTURE	CLASS	TYPE
AM - Minus Series	1 - Minus One 2 - Minus Two	BRK - Bracket	UN - Universal New Construction UR - Universal Retrofit Construction

AM_ -BRK-__

ORDERING EXAMPLE AM1-BRK-UN