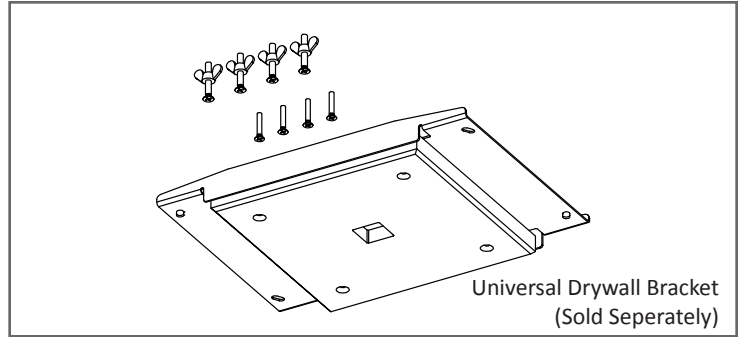
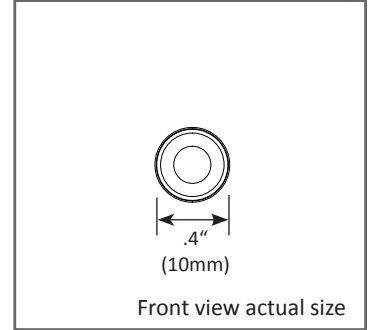
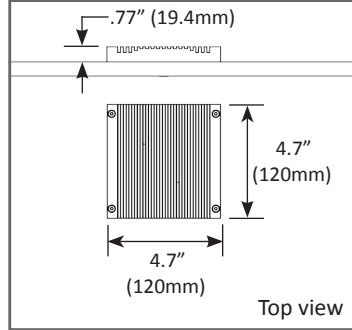


Project: _____ Type: _____



MINUS ONE

Low Voltage, Recessed Downlight - The Minus downlight series by apure brings sophistication to interior spaces with it's never-before-seen performance combined with a glare-free appearance. A single high performance LED is combined with precision-focusing optics to create an unprecedented light fixture. A robust proprietary driver ensures equal light output, regardless of voltage drops. High-tech microprocessor-controlled, thermal management ensures reliability and a long life.

Construction

- Round .4" (10mm) aperture featuring propriety optics for maximum light output
- Hard anodized aircraft grade aluminum heat-sink
- 50,000 hours LED lifetime

Light output

- 1140lm source light output
- Sharply defined 20° or 40° light output
- High performance Cree LED at various color temperatures available
- Color rendering index 80 or 90
- Microprocessor controlled thermal protection

Electrical Specifications

- Class 2 Fixture
- 14W Power Consumption
- 16-24V DC Input, 400mA @ 24V
- MLV dimmable
- 100W 24V DC Power supply required

Trimless Recessed Installation

- Standard installation for the Minus One is accomplished with the use of our universal bracket (AM1-Brk-U) shown above, which allows the Minus One to be installed within new or pre-existing drywall ceilings. For complete specifications, please see the Universal Drywall Bracket cutsheet.

Installation Notice

- Please reference installation instructions for more details.

Listings / Patents

- ETL listed, Certified to UL 2108 and UL 8750
- Airtight rated / Chicago Plenum rated
- IC rated
- Wet location listed
- CA Title 24 listing pending
- Patent Pending



ORDERING INFORMATION

SERIES NO.	MODEL	TYPE	ORIENTATION	TEMPERATURE	CRI	LENS
AM - Minus Series	1 - Minus One	1 - LED	F - Fixed	27 - 2700k 30 - 3000k 40 - 4000k	80 - 80 CRI 90 - 90 CRI	S - 20° Spot F - 40° Flood

AM11F-_____

ORDERING EXAMPLE AM11F-3080F

Minus Wiring Diagram

