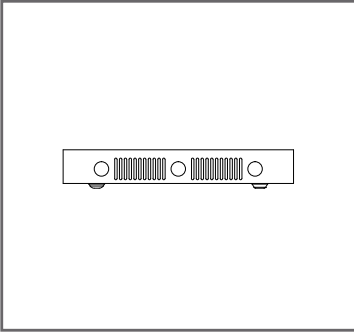
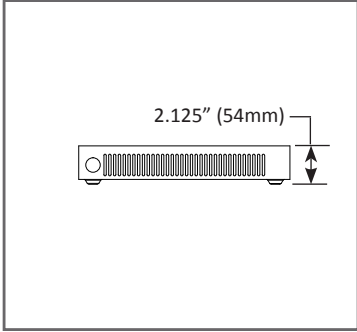
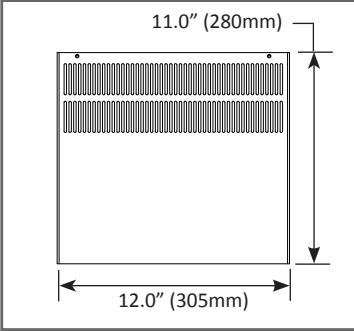
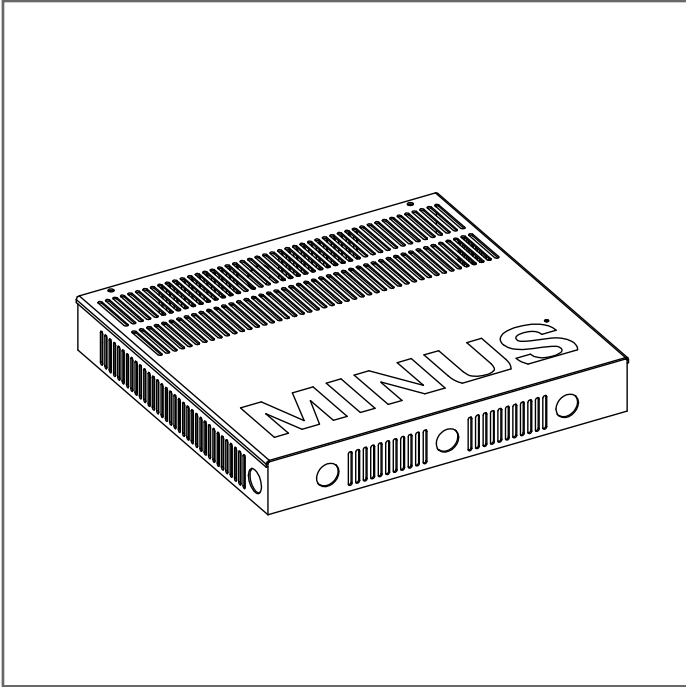


Project: _____ Type: _____



MINUS DISCREET SUPPLY

Discreet Power Supply - The Minus Discreet Supply provides dimmable low voltage power in order to power up to 15 individual Minus fixtures by Apure. Electrical Low Voltage power supply Installations are simplified by combining three Class 2 power supplies into one discreet unit.

Construction

- White powder coat finish
- Up to three individual low voltage circuits
- Reversible lid is secured using 2x screws
- Built in ground bus for easy ground installation
- Terminal blocks for easy connections

Electrical

- Up to three 96W supplies
- MLV Dimmable
- 120V AC Input
- 24V DC Output
- 1A input current per supply, 4A output current per supply
- Auto reset protection for over-current short circuit

Installation

- Can be wall or ceiling mounted.
- Mounted using screws to existing structure, Not included
- Conduit entry on all 4 edges is flexible for various electrical designs.
- Three individual conduit knockouts available for situations when conduit is required for all circuits
- -20C to 40C operating temperature

Electrical Model Selection

- 101 - Up to 5 fixtures
- 102 - Up to 10 fixtures
- 103 - Up to 15 fixtures

Listings

- UL listed

ORDERING INFORMATION

SERIES NO.	VERSION
AA3 - Minus Discreet Supply	101 - One 96W Supply
	102 - Two 96W Supplies
	103 - Three 96W Supplies

AA3 - 103

ORDERING EXAMPLE AAA - 103