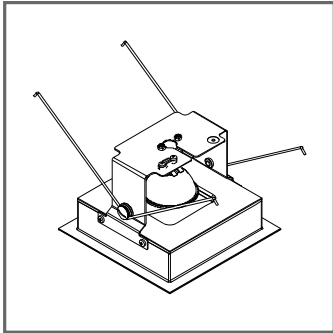
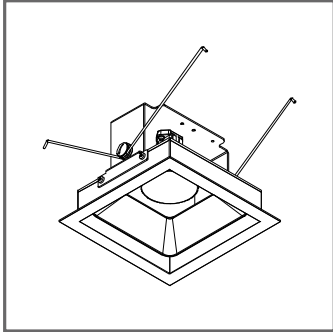
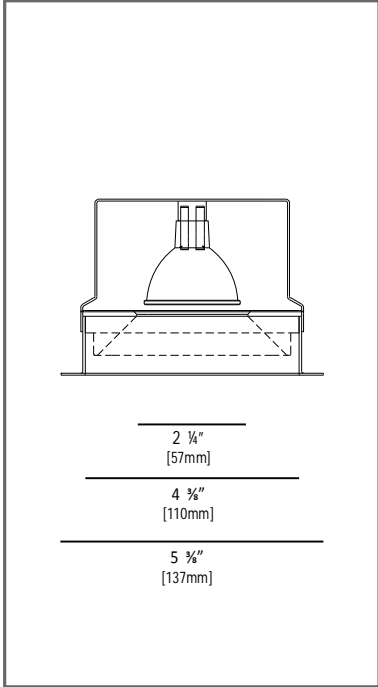


Project: _____ Type: _____



CLARUS halogen

Recessed Downlight - Fixed MR16 Low Voltage Halogen with 1/2" (13mm) trim and signature aluminum apure© louver.

Construction

- Formed steel trim with powder coat paint finish combined with signature aluminum apure© louver, available in various colors and combinations.
- Made in Germany, Design by Porsche Design Studio
- Lamp module installed and removed through the aperture with ease via quick connectors.
- Torsion springs pull lamp module tight to ceiling.
- Lamp holder fitting GU5.3.

Electrical

- Maximum wattage, voltage, dimming and wiring determined by housing, please refer to required housing specification sheet for further information

Housing

- All recessed fixtures installed in the U.S. require a housing. Refer to the appropriate housing cutsheet to configure voltage, maximum wattage, and other available options.

Required Housing

- HSG941-ST-X-XX - Standard housing
- HSG941-SH-X-XX - Shallow housing

Listings

- ETL listed, damp location.
- ETL listed, wet location option.
- Airtight and CCSA Chicago Plenum



ORDERING INFORMATION

SERIES NO.	FIXED	TRIM FINISH	LOUVER FINISH	OPTIONS
AP94 - MR16 downlight with trim	F - fixed downlight	WH - white BL - black CC - custom	WH - white powder coat NA - natural anodized BA - black anodized TI - titan anodized GO - gold anodized BR - bronze anodized GM - gun metal anodized RG - rose gold anodized	WL - wet location lens

AP94F- __ / __ - __

ORDERING EXAMPLE AP94F-WH/NA-WL