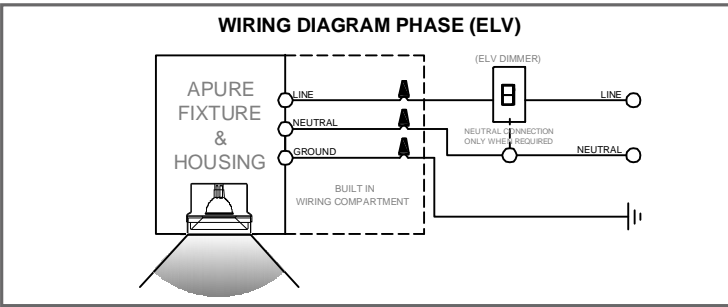
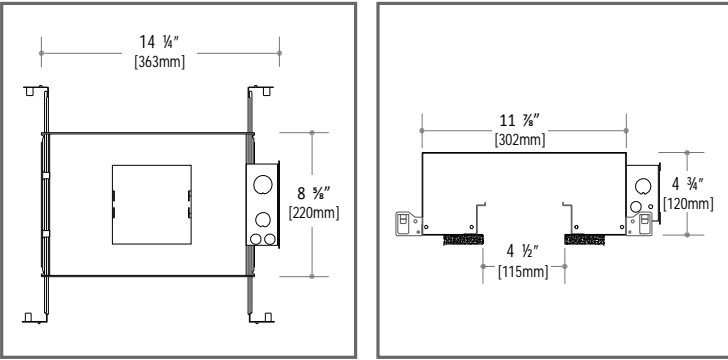
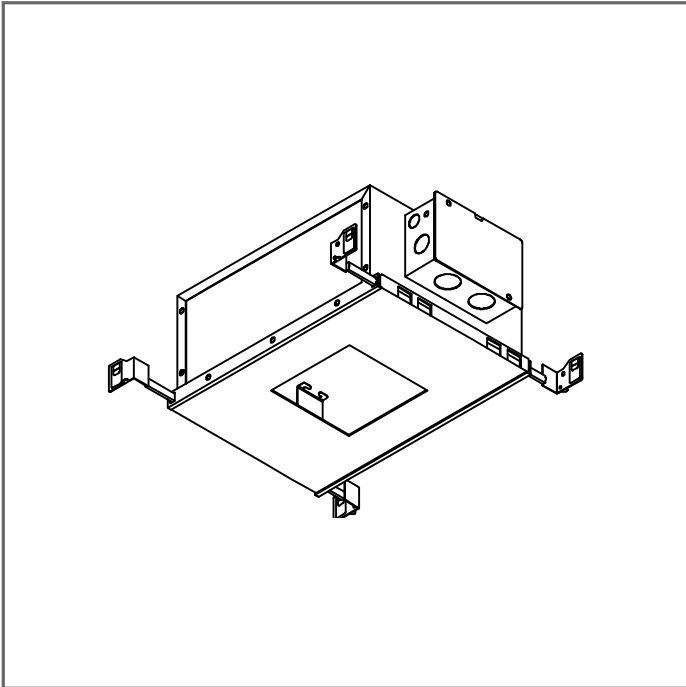


Project: _____ Type: _____



CLARUS shallow housing, halogen

Recessed Housing - For use with Clarus and Clarus Radius fixtures. This cutsheet applies to the following lamp types: MR16 Halogen

Construction

- New construction steel housing with corrosion-resistant galvanized finish.
- Housing available with and without Insulation Contact (IC) rating for installation in a fully insulated ceiling. Insulation contact rating reduces maximum wattage.
- Wiring compartment rated for (4x) #12 thru branch circuits in Non-IC housing only.

Mounting

- Housing and trim assembly accommodate 1/2" to 1-1/2" ceiling thicknesses.
- Adjustable hanger bars included, with captive nail, adjust from 14 3/16" to 26" wide.

Electrical

- 120V or 277V Versions
- Compatible with 2-wire ELV (reverse phase) dimmers.
- For optimal performance, operate luminaire in conjunction with dimming switches or modules. Proper wiring and use of dimmers is to be performed by a qualified professional.
- Max wattage 20 watts for insulation contact option (IC) and 37 watts for non insulation contact (Non-IC), given maximum lamp manufacturer operating temperature ratings are not exceeded.

Listings

- ETL listed, damp location.
- ETL listed, wet location option.
- Airtight and CCSA Chicago Plenum



ORDERING INFORMATION

SERIES NO.	VOLTAGE	HOUSING SIZE	OPTIONS	LOCATION
HSG94 - MR16 downlight with trim	1 - 120V 2 - 277V*	SH - shallow housing	[blank] - non-insulation contact IC - insulation contact* *IC option affects fixture wattage rating, see wattage column	[blank] - Damp location WL - Wet location

HSG94_ - SH- __

ORDERING EXAMPLE HSG941-SH-IC-WL