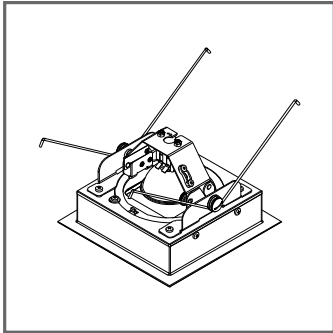
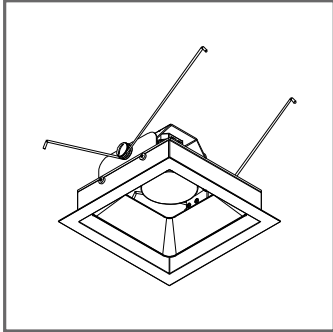
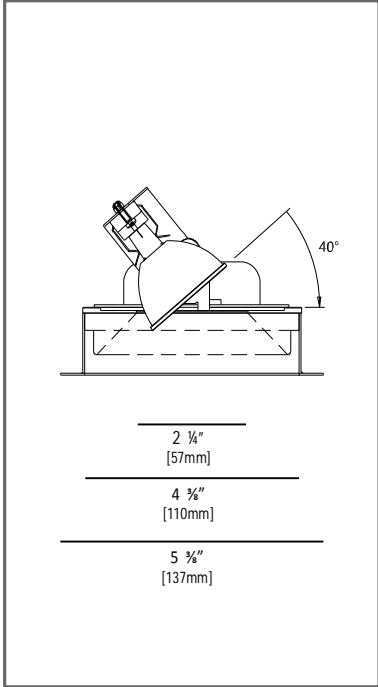


Project: \_\_\_\_\_ Type: \_\_\_\_\_



# CLARUS RADIUS halogen

**Recessed Downlight** - Adjustable MR16 Low Voltage Halogen with 1/2" (13mm) trim and signature aluminum apure© louvre.

**Construction**

- Formed steel lamp holder with 360° rotation and 40° adjustment from nadir, via double-axis pivot for maximum center beam optical performance.
- Formed steel trim with powder coat paint finish combined with signature aluminum apure© louvre, available in various colors and combinations.
- Made in Germany, Design by Porsche Design Studio
- Torsion springs pull lamp module tight to ceiling.
- Lamp holder fitting GU5.3.

**Electrical**

- Maximum wattage, voltage, dimming and wiring determined by housing, please refer to required housing specification sheet for further information

**Housing**

- All recessed fixtures installed in the U.S. require a housing. Refer to the appropriate housing cutsheet to configure voltage, maximum wattage, and other available options.

**Required Housing**

- HSG94X-ST-XX - Standard housing
- HSG94X-SH-XX - Shallow housing

**Listings**

- ETL listed, damp location.
- Airtight and CCSA Chicago Plenum



**ORDERING INFORMATION**

SERIES NO.	ADJUSTABLE	TRIM FINISH	LOUVER FINISH
AP94 - MR16 downlight with trim	A - adjustable downlight	WH - white BL - black CC - custom	WH - white powder coat NA - natural anodized BA - black anodized TI - titan anodized GO - gold anodized BR - bronze anodized GM - gun metal anodized RG - rose gold anodized

AP94A- \_\_ / \_\_

**ORDERING EXAMPLE** AP94A-WH/NA